

Supplementary Information

Figure S1. *BPI* gene methylation levels in piglet age groups. CpG sites are marked with pie charts, black region represent methylation level; ^{a,b} The means with different superscripts within the same CpG sites differ significantly ($p < 0.05$).

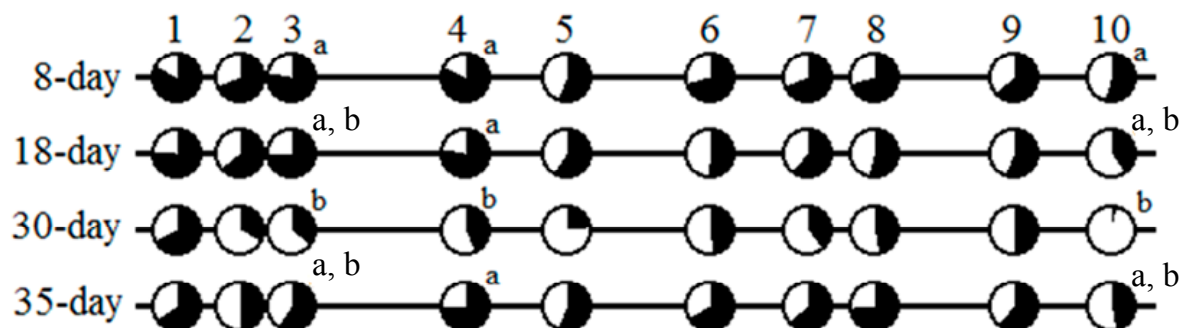


Table S1. Correlation analysis of methylation level and mRNA expression in the porcine *BPI* gene.

CpG Site	Correlation Coefficient	<i>p</i> -Value
Overall	-0.463	0.071
CpG_1	-0.503	0.047
CpG_2	-0.376	0.151
CpG_3	-0.529	0.035
CpG_4	-0.680	0.004
CpG_5	-0.312	0.239
CpG_6	-0.455	0.077
CpG_7	-0.567	0.022
CpG_8	-0.291	0.274
CpG_9	-0.194	0.471
CpG_10	-0.377	0.150