

Bio-inspired Flexible Lateral Line Sensor Based on P(VDF-TrFE)/BTO Nanofiber Mat for Hydrodynamic Perception

Xiaohe Hu ¹, Yonggang Jiang ^{1,*}, Zhiqiang Ma ¹, Yuanhang Xu ¹, and Deyuan Zhang ¹

¹ Institute of Bionic and Micro-Nano Systems, School of Mechanical Engineering and Automation, Beihang University, Beijing 100191, China; huxh0706@buaa.edu.cn (X.H.); mazqbuaa@buaa.edu.cn (Z.M.); xuyuanhang@buaa.edu.cn (Y.X.); zhangdy@buaa.edu.cn (D.Z.)

* Correspondence: jiangyg@buaa.edu.cn; Tel.: +86-10-8231-6603

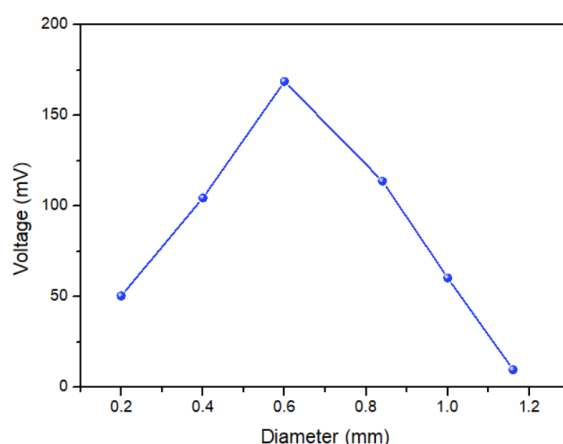


Figure S1. Relationship between the diameter of the pillar and the generated voltage.

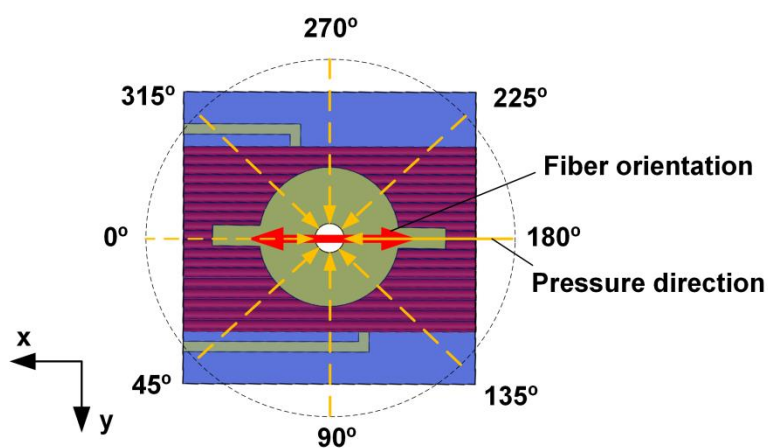


Figure S2. The direction of the pressure varied from 0° to 360° in the simulation process.

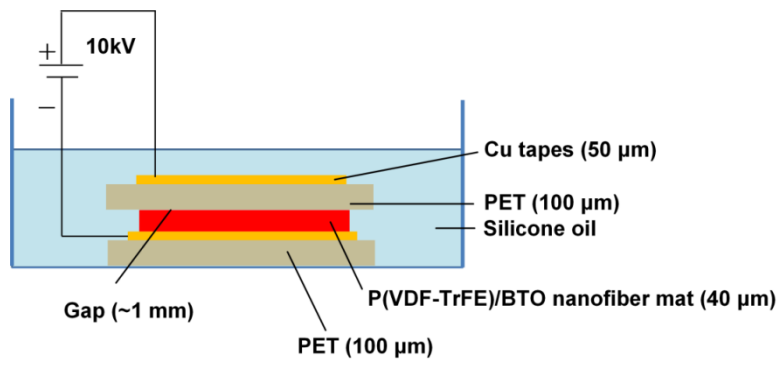


Figure S3. Schematic diagram of the polarization setup.