

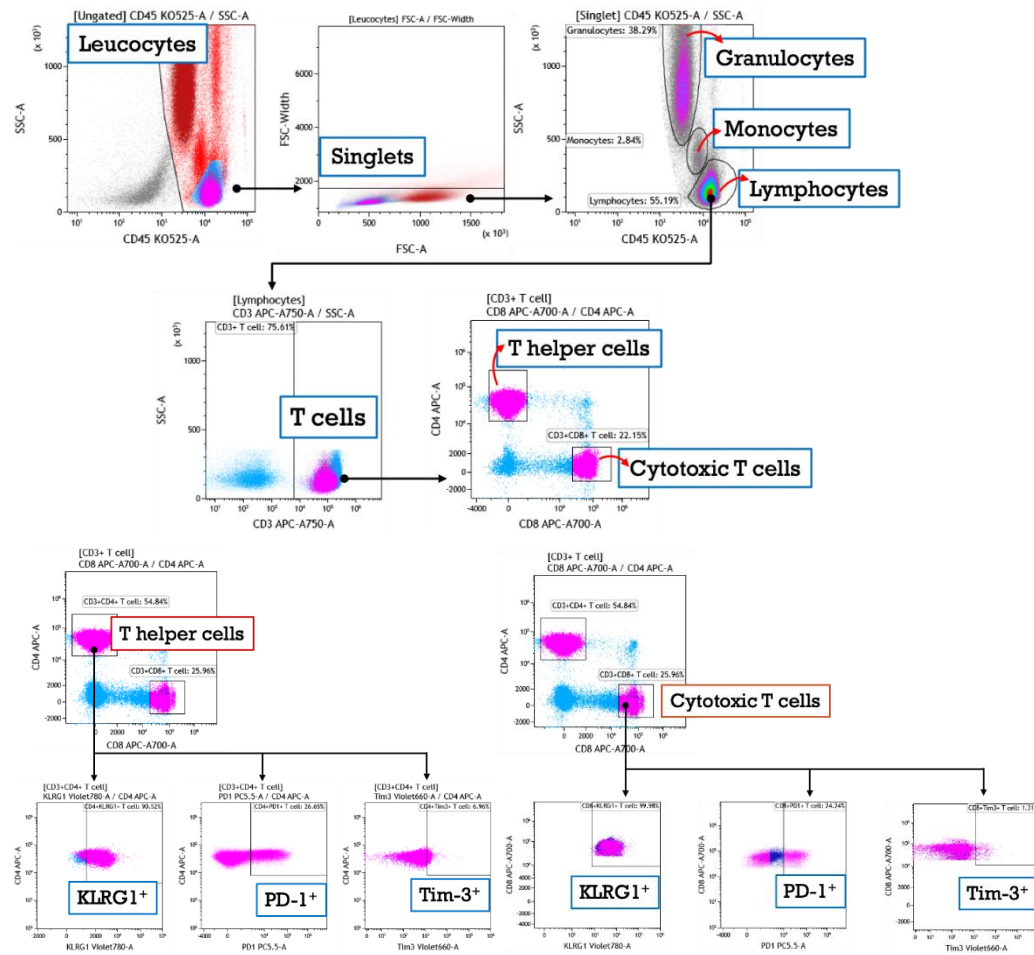
Supplementary Table 1

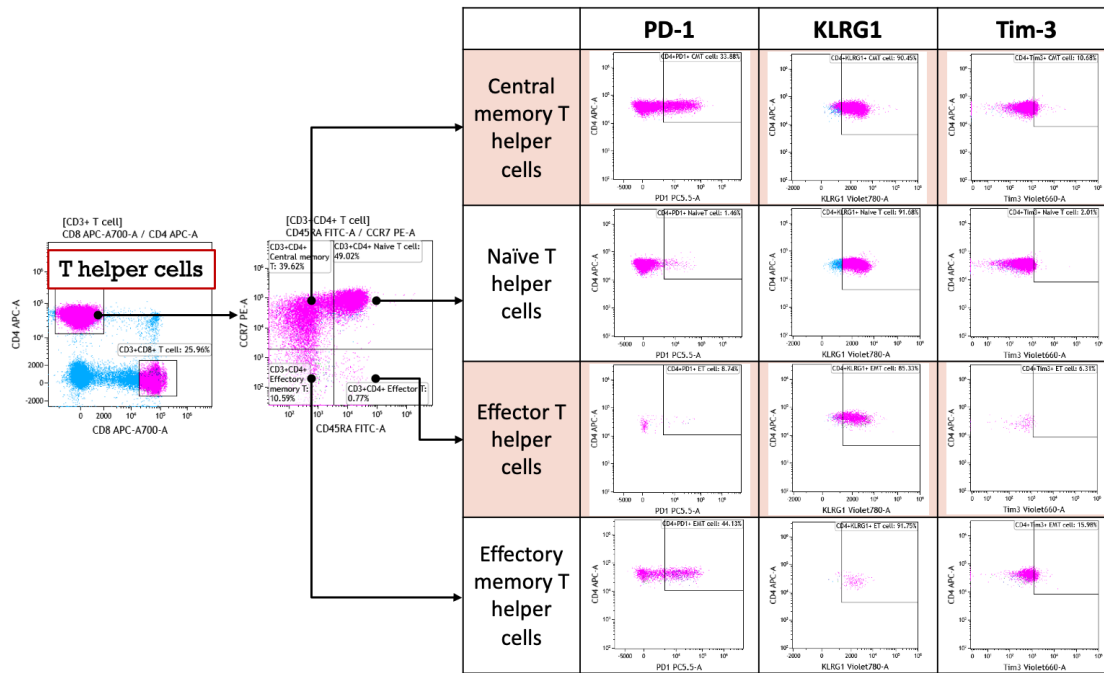
The antibodies of T cell, Treg and B cell panel corresponding to fluorescent dyes

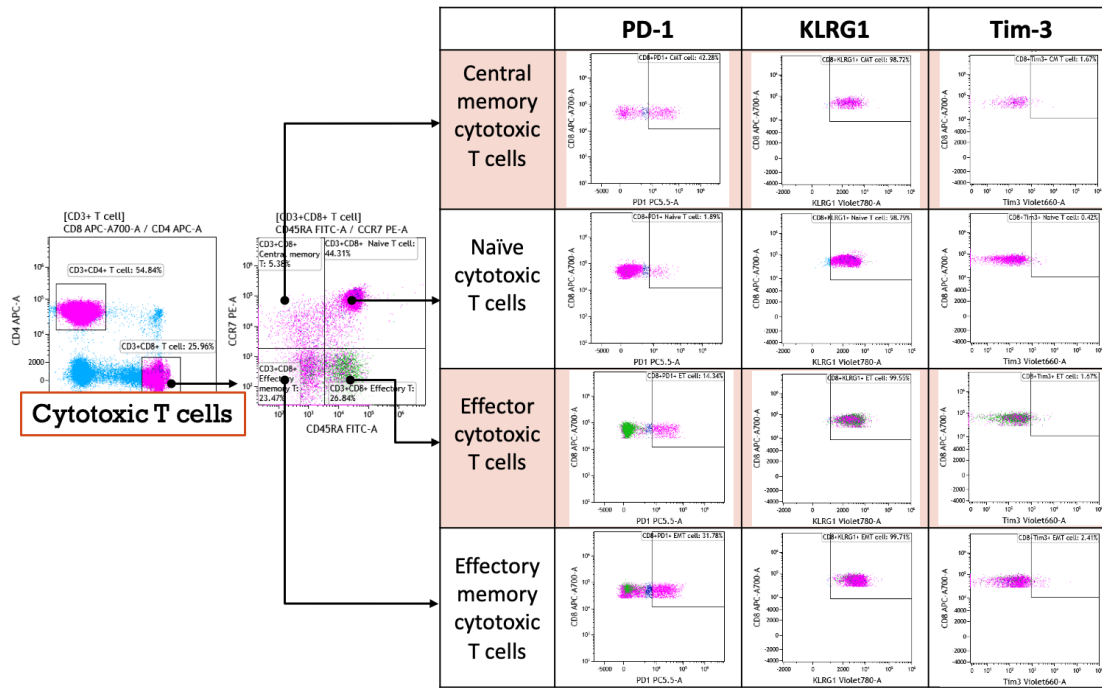
Laser	Fluorescence dye	DuraClone IM T cell subsets Tube	DuraClone IM Treg Tube	DuraClone IM B cell Tube
488nm	FITC	CD45RA	CD45RA	IgD
	PE	CCR7	CD25	CD21
	ECD	CD28	-	CD19
	PC5.5	PD-1	CD39	PD-1
	PC7	CD27	CD4	CD27
638nm	APC	CD4	FoxP3	CD24
	APC-A700	CD8	CD8*	-
	APC-A750	CD3	CD3	CD38
405nm	Pacific Blue	CD57	Helios	IgM
	(PB)			
	Krome Orange (KrO)	CD45	CD45	CD45
	BV605	CD95*	CD62L*	CD95*
	BV650	Tim-3*	HLADR*	HLADR*
	BV780	KLRG1*	CD127*	-

*The antibodies were extra-added in the DuraClone IM kits, each antibody was added 5ul in one reaction.

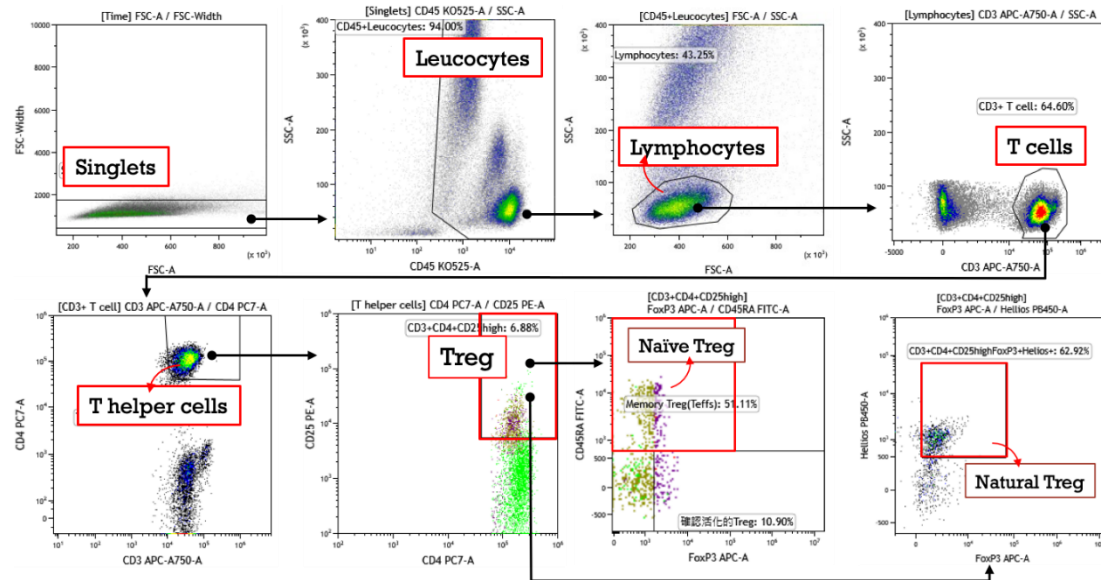
Supplementary Figure 1. The cell gating of T cell immunophenotyping







Supplementary Figure 2. The cell gating of Treg cell immunophenotyping



Supplementary Figure 3. The cell gating of B cell immunophenotyping

