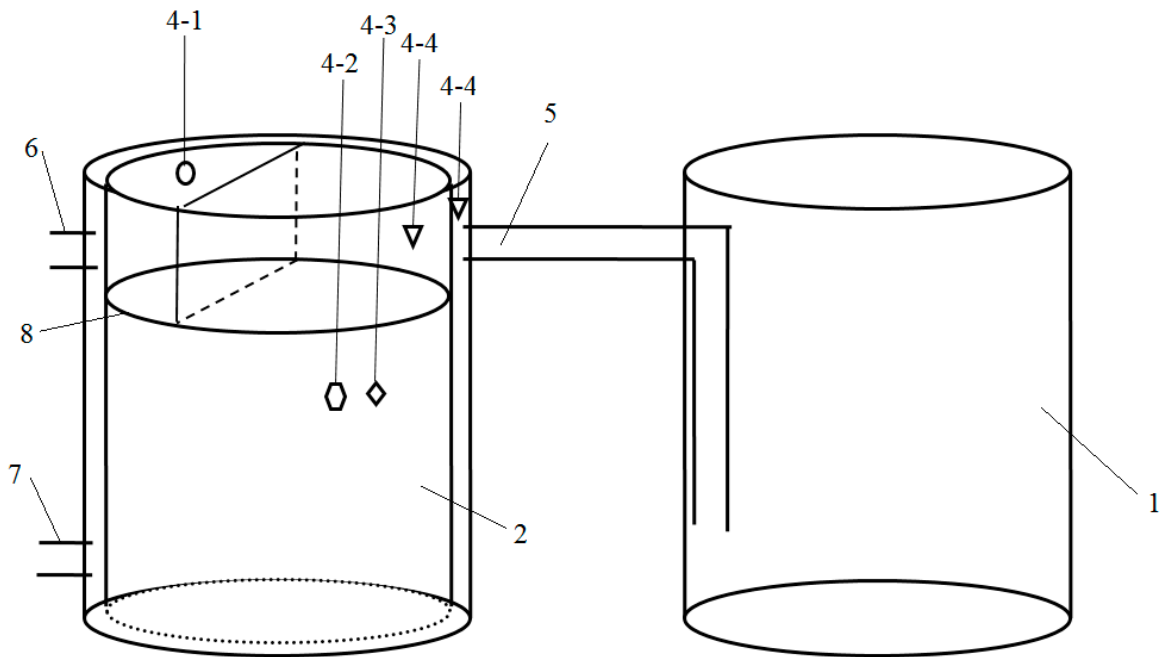
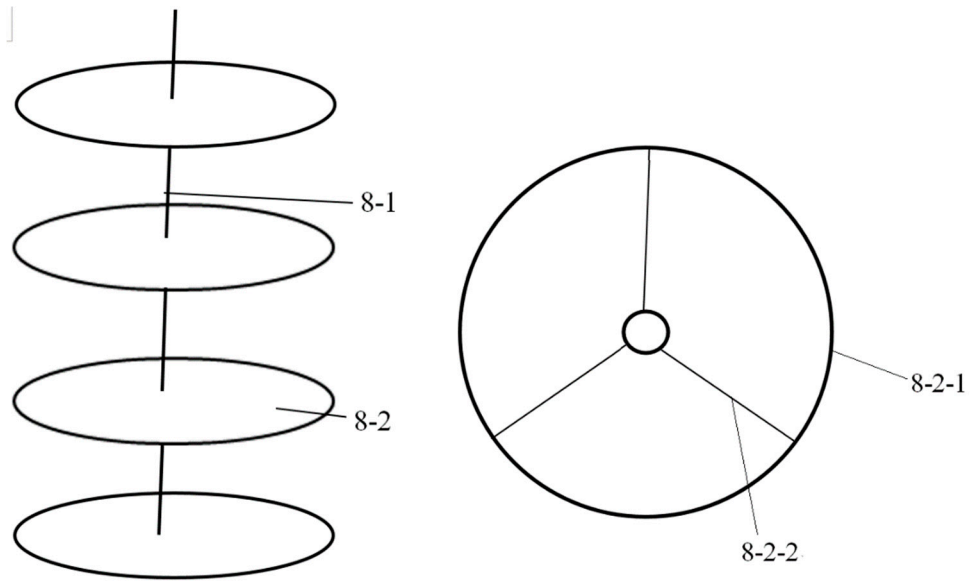


1 Designed pots system (China National Invention Patent, ZL201610221861.1)



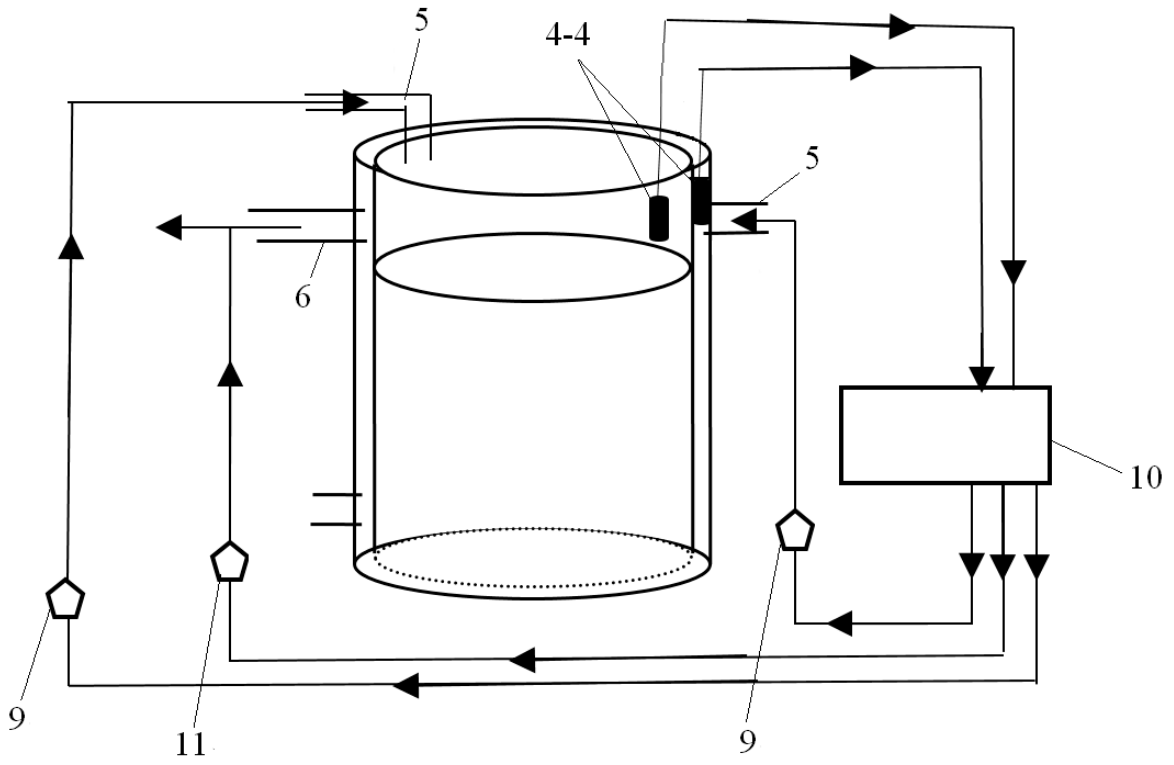
2



3

4 Figure S1. Structure and fixings of designed pots system

5



6

7 Figure S2. Control system of designed pots system

8