

Article

Small-Signal Stability of Multi-Converter Infeed Power Grids with Symmetry

Jiawei Yu ¹, Ziqian Yang ¹, Jurgen Kurths ^{2,3,4} and Meng Zhan ^{1,*}

- ¹ State Key Laboratory of Advanced Electromagnetic Engineering and Technology, School of Electrical and Electronic Engineering, Huazhong University of Science and Technology, Wuhan 430074, China; M201871402@hust.edu.cn (J.Y.); D201780395@hust.edu.cn (Z.Y.)
- ² Potsdam Institute for Climate Impact Research, 601203 Potsdam, Germany; JKurths@agnld.uni-potsdam.de
- ³ Department of Physics, Humboldt University of Berlin, Newtonstrasse 15, 12489 Berlin, Germany
- ⁴ Centre for Analysis of Complex Systems, Sechenov First Moscow State Medical University, 119991 Moscow, Russia
- * Correspondence: zhanmeng@hust.edu.cn

Abstract: Traditional power systems have been gradually shifting to power-electronic-based ones, with more power electronic devices (including converters) incorporated recently. Faced with much more complicated dynamics, it is a great challenge to uncover its physical mechanisms for system stability and/or instability (oscillation). In this paper, we first establish a nonlinear model of a multi-converter power system within the DC-link voltage timescale, from the first principle. Then, we obtain a linearized model with the associated characteristic matrix, whose eigenvalues determine the system stability, and finally get independent subsystems by using symmetry approximation conditions under the assumptions that all converters' parameters and their susceptance to the infinite bus (B_g) are identical. Based on these mathematical analyses, we find that the whole system can be decomposed into several equivalent single-converter systems and its small-signal stability is solely determined by a simple converter system connected to an infinite bus under the same susceptance B_g . These results of large-scale multi-converter analysis help to understand the power-electronic-based power system dynamics, such as renewable energy integration. As well, they are expected to stimulate broad interests among researchers in the fields of network dynamics theory and applications.

Keywords: power-electronic-based power system dynamics; multi-converter infeed power system; small-signal stability; large scale system analysis; network dynamics



Citation: Yu, J.; Yang, Z.; Kurths, J.; Zhan, M. Small-Signal Stability of Multi-Converter Infeed Power Grids with Symmetry. *Symmetry* **2021**, *13*, 157. <https://doi.org/10.3390/sym13020157>

Academic Editor: Raúl Baños Navarro
Received: 16 December 2020
Accepted: 19 January 2021
Published: 20 January 2021

Publisher's Note: MDPI stays neutral with regard to jurisdictional claims in published maps and institutional affiliations.



Copyright: © 2021 by the authors. Licensee MDPI, Basel, Switzerland. This article is an open access article distributed under the terms and conditions of the Creative Commons Attribution (CC BY) license (<https://creativecommons.org/licenses/by/4.0/>).

1. Introduction

The power system is generally believed to be one of the most complicated systems made by human beings, featured with some essential characteristics of complex systems, such as nonlinearity, large spatial scale, multiple timescale, interwinding between coupled elements, etc. [1–3]. In a traditional power system dominated by synchronous generators (SGs), the system of electromechanical dynamics is basically controlled by the rotor motion of SG under imbalance torque (or power) [4–6]. Its physical picture is clearly understood. Recently the traditional synchronous-generator-dominant power system has been gradually becoming a power-electronic-based one. In particular, with increasing penetration of renewable energy, a large number of devices, such as wind turbines and photovoltaic cells, have been connected to the power grid via power electronic converters, such as voltage source converter (VSC) as a major type of converter [7–13]. Different from the SG, the converter exhibits a greater complication, due to its diversified structures of the controller. Entangled interaction of controllers within and between converters also makes the system analysis more difficult [14]. Recently, a variety of wide-frequency-band oscillations of power-electronic-based power system have occurred frequently worldwide [2]. A relevant stability analysis has become a hot topic in the fields of both power electronics and power

system [1–3,14–17]. Hence it is important and urgent to study the dynamics in a multi-converter system and uncover its stability mechanism.

Although the power-electronic-based power system is intrinsically nonlinear, for simplicity, the classical linear system theory has been extensively applied in the framework of small-signal stability under the condition that the operating point is subjected to a sufficiently small disturbance [4–6]. So far, three major methods have been developed, including the modal analysis method in the time domain, and complex torque and impedance methods in the frequency domain [18]. We will apply the modal analysis method as it is common and reliable. In addition, the multi-timescale decomposition technique has also been widely used in reduced-order modeling and analysis of power-electronic-based power systems. There are several studies concentrating only on one single timescale. For instance, the slow-scale dynamics of VSC was studied within the DC-link voltage timescale by ignoring all fast-scale current controllers [19]. In contrast, it was reported that the fast oscillations can be put into the category of current-timescale by setting all slow-scale controller outputs as constants [20]. We will use the same strategy in our modeling.

On the other hand, the power system stability, as an important problem in realistic complex systems, has also attracted wide interests in physics in the past decade [21–34]. Most studies concentrated on cascade failure [26,27] and synchronization [28–30], based on the well-known second-order Kuromoto oscillators and mainly treating the problem how does the network structure shape power grid function. There are few papers on renewable integrations, except some on intermittent behaviors of renewable energies by studying stochastic differential equations [31]. Basically, their timescale is much slower than what we are interested in here. For recent progress on this direction, see, e.g., the focus issues [32–34]. Detailed studies on how renewable integration devices work still lack, to the best knowledge of the authors. We would like to stimulate the broad interests of researchers in physics.

Different from a single-converter system, the topologies of a multi-converter system can be diversified. However, due to the comparatively low energy density transferred by a converter, a symmetrical structure has been commonly observed, such as AC microgrid with distributed power sources [35], radial cluster topology of off-shore wind farms [36], grid-connected photovoltaic systems with a radial configuration [37], and multi-infeed VSC power systems [38], etc. The above systems have two common features. One is that the grid-connected devices have similar control structures and parameters, and the other is that the network topology has a certain symmetry. Taking the offshore wind farm as an example, the common topologies are as shown in Figure 1 [39]. Those features bring great convenience to the stability analysis of the multi-converter system. The main conclusions of our work will be based on such property of symmetry.

Based on the above literature review, we find that a generic model of a multi-converter infeed system hasn't been built yet and the stability mechanism research is still urgently needed. In this paper, relying on the above three major techniques: linearization, multi-timescale decomposition and symmetry analysis, we will establish a nonlinear model of a multi-converter power system within the DC-link voltage timescale from the first principle. Then we will derive a linearized model and conduct linear stability analysis. Finally, by using the mentioned symmetry conditions, we will decompose the multi-converter system into several single-converter subsystems and identify the dominant one for the system's small-signal stability. We hope those step-by-step modeling and mathematical analysis help to uncover the internal mechanism of the stability of multi-converter infeed system and inspiring for future studies of complicated realistic systems.

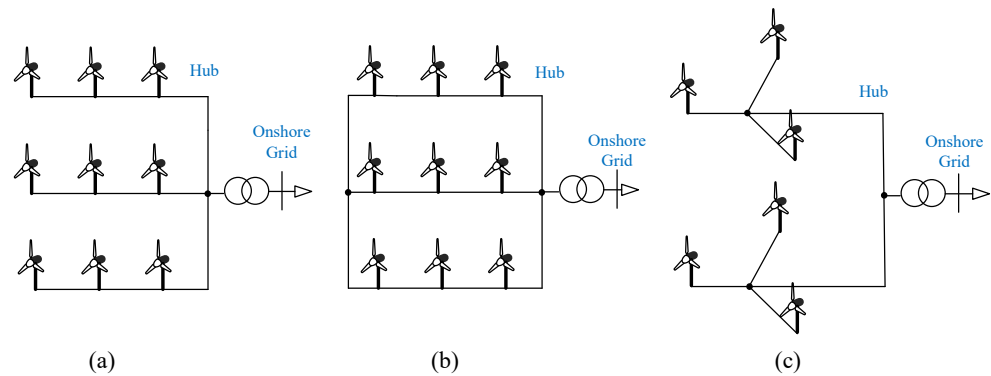


Figure 1. The offshore wind farm with wind turbines connecting each other is known as a collection system and then it is connected to the onshore grid usually by a high voltage transmission system. The collection system topologies can be radical connection (a), radical loop connection (b), and star connection (c).

The remainder of this paper will be arranged as follows. In Section 2, we establish a nonlinear model of multi-converter infeed power system within the DC-link voltage timescale. In Section 3, the nonlinear model is linearized around the system operation conditions. In Section 4, to obtain the eigenvalues of the characteristic matrix, we make some symmetry assumptions and decouple the whole system into several subsystems. Further analysis finds that only one single-VSC system is dominant in system stability. Section 5 is devoted to simulation results of root loci and time series. Finally, conclusions and discussions are given. In addition, more details about the converter parameters, approximate eigenvalues and the simulation data are represented in the Appendices A–C.

2. Nonlinear Modeling for Multi-Converter Infeed System

2.1. System Overview

Figure 2a shows the representative and simplified topological structure for a multi-VSC infeed power system within the DC-link voltage control timescale, with each VSC connected to an infinitely strong bus $U_{t,n+1}$ by an inductance. As only slow-scale dynamics are considered, all voltage and current can be expressed as phasors. The system has $n + 1$ buses, including n VSC buses and one infinite bus. The infinite bus is numbered as $n + 1$ and adopted as the reference bus. Both the voltage amplitude $U_{t,n+1}$ (simplified as U_g) and the phase $\theta_{t,n+1}$ of the infinite bus are fixed ($\theta_{t,n+1} = 0$).

For the i -th ($i = 1, 2, \dots, n$) VSC bus, the voltage amplitude and phase are denoted by $U_{t,i}$ and $\theta_{t,i}$, respectively. In our model, for the reactance, $X = \omega_0 L$, where ω_0 is the fundamental frequency and $\omega_0 = 100\pi$, as $f_0 = 50$ Hz. As shown in Figure 2a,b, X_{gi} denotes the reactance between the i -th VSC and the infinite bus, termed as the converter-grid reactance, $X_{gi} = X_{ig}$. In contrast, X_{ij} represents the reactance between the i -th and the j -th VSCs, referred to as inter-converter reactance, $X_{ij} = X_{ji}$.

2.2. VSC Modeling

Figure 3 exhibits the detailed control diagram of a multi-VSC power system by utilizing a typical vector control scheme [40–42]. The control loops include the terminal voltage control loop (TVC) and DC voltage control loop (DVC) for the outer slow-scale control, and the AC current control loop (ACC) for the inner fast-scale control. In addition, the phase-locked control loop (PLL) for system synchronization belongs to the slow timescale. Different from the xy synchronous reference coordinate rotating at a fixed synchronous speed ω_0 , the cascaded control loops including the TVC, DVC and ACC should operate on the dq coordinate based on the information of the phase-locked angle θ_i from the PLL. The coordinates and angle relations are illustrated in Figure 4a. The negative feedback controls of the TVC and DVC aim to maintain the terminal voltage and the DC voltage at normal values, respectively. The proportional-integral (PI) linear controllers are adopted in DVC,

TVC, and PLL. After the cascade control, the output of the ACC should be transferred back from the dq coordinate to the xy one, serving as gating voltage for six insulated gate bipolar transistors (IGBTs). The waveform change is possible by using the well-known pulse-width modulation (PWM) technique; for more details, see, e.g., [40–42].

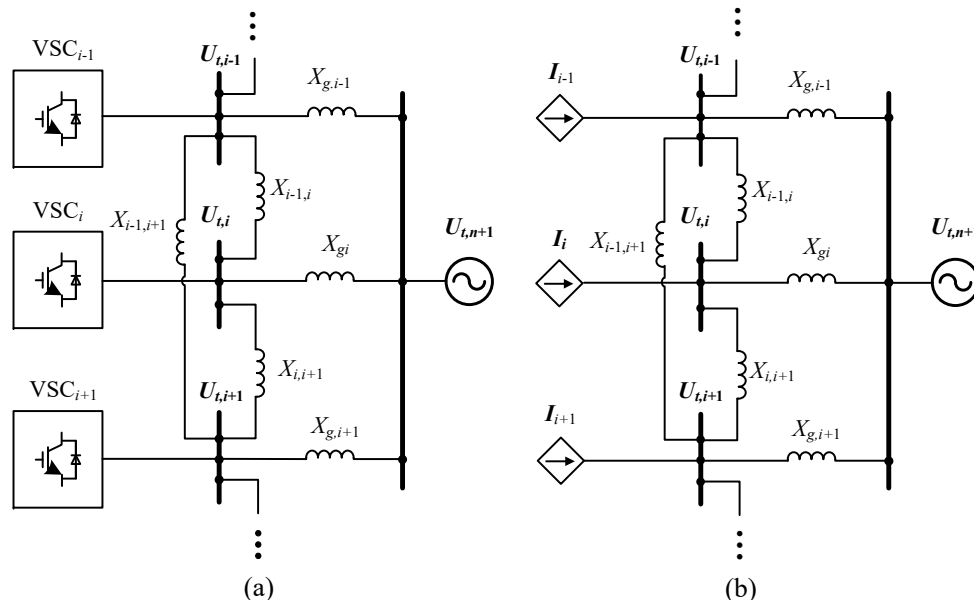


Figure 2. (a) Topological structure for a multi-voltage source converter (VSC) infeed system within the DC-link voltage timescale, with each VSC connected to an infinitely strong bus $U_{t,n+1}$. We use X_{ij} and X_{ig} to denote the inter-converter and converter-grid reactances, respectively. $X_{ij} = X_{ji}$ and $X_{ig} = X_{gi}$. (b) Equivalent circuit topology of (a), where each VSC serves as a controlled current source and injects power to the network.

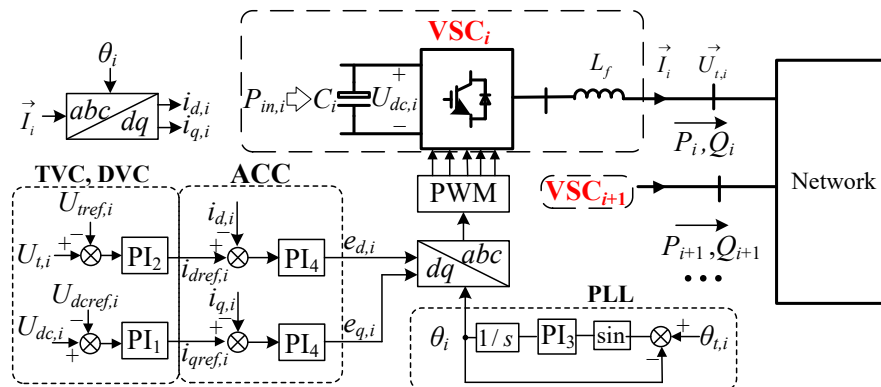


Figure 3. Control diagram of a multi-VSC power system with typical cascade vector controllers, including the terminal voltage control loop (TVC) and DC voltage control loop (DVC) for the outer slow-scale controls, and the AC current control loop (ACC) for the inner fast-scale control. The phase-locked control loop (PLL) is used for synchronization, by inputting the terminal voltage angle $\theta_{i,i}$ and outputting the phase-locked angle θ_i . The PLL also belongs to the DVC timescale and will be included in our model. All controllers including the TVC, DVC, and ACC are designed depending on the PLL reference frame.

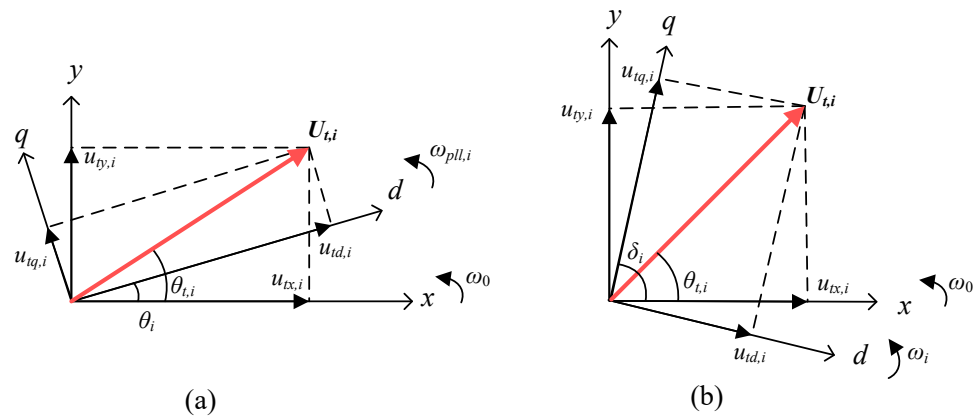


Figure 4. (a) Schematic show for the xy synchronous reference coordinate and the dq PLL coordinate used in the multi-converter system. The xy rotates at a fixed speed ω_0 . In contrast, the dq coordinate is based on the phase-locked angle θ_i (from the terminal voltage phase angle $\theta_{t,i}$) and implements the cascade vector control. Its speed $\omega_{pll,i}$ is time-varying. (b) Similar to (a) but for a synchronous generator. Similarly, the xy frame rotates at a fixed speed ω_0 and the dq frame rotates at the rotor speed ω_i , which is also time-varying. δ_i denotes the power angle and $\theta_{t,i}$ is the terminal voltage phase angle. In a traditional power system, the dynamics of δ_i of the synchronous generator (SG) plays a key role in the system electromechanical behavior, similar to the phase-locked angle θ_i in the PLL in (a).

Clearly the PLL, as a watchdog, plays an important role in the whole control. It provides the phase-locked angle θ_i , keeps the converter synchronized with the external grid, and makes the cascade vector controls possible. Figure 4a schematically shows the dynamical relation in the xy synchronous reference coordinate and the dq coordinate, where the phase-locked angle of the PLL, θ_i , determines its d -axis orient. In addition, $\theta_{t,i}$ denotes the terminal voltage angle, and $u_{td,i}$ and $u_{tq,i}$ are the d - and q -axis components of the terminal voltage, respectively. Finally, to make a comparison, we present some coordinates and angle relations in Figure 4b, but for the synchronous generator instead [4–6]. Similarly, the xy frame rotates at a fixed speed ω_0 and the dq frame for the rotor position rotates at the rotor speed ω_i , which is also time-varying. Generally, δ_i is termed as power angle and $\theta_{t,i}$ is the terminal voltage angle. The dynamics of δ_i in SG plays a key role in the system dynamical behavior and is similar to the phase-locked angle θ_i in PLL.

According to the control design criterion, the dynamics of VSC can be roughly divided into the DC-link voltage and current control timescales [7]. For simplicity, in this paper we will only study the DC-link voltage timescale dynamics, by keeping all the outer loops (including the TVC, DVC, and PLL) and neglecting the inner ACC. Hence the current values, $i_{d,i}$ and $i_{q,i}$, should simultaneously follow the current reference values, $i_{dref,i}$ and $i_{qref,i}$. The simplified control diagram is shown in Figure 5. In addition, we can keep the active power input $P_{in,i}$ from the DC-link capacitor in Figure 3 as a constant. As a result, each VSC can be regarded as equivalent to a controlled current source [15], as schematically shown in the right of Figure 5. For the symbols in Figure 5, $(k_{p1,i}, k_{i1,i})$, $(k_{p2,i}, k_{i2,i})$, and $(k_{p3,i}, k_{i3,i})$ represent the PI control parameters of the DVC, TVC, and PLL, respectively. C_i stands for the DC capacitor. $U_{t,i}$ and $U_{tref,i}$ are the terminal voltage and the terminal reference voltage, respectively. $P_{in,i}$ denotes the active power input from the DC side and P_i denotes the active power output via the VSC. θ_i represents the PLL angle, while $\theta_{t,i}$ is the terminal voltage angle.

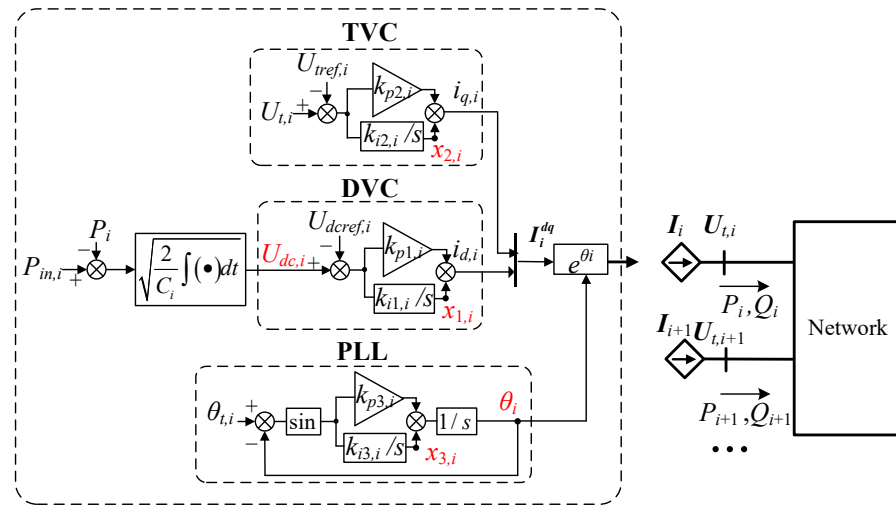


Figure 5. Diagram of a multi-VSC power system within the DC voltage time-scale, including the detailed TVC, DVC, and PLL controllers. The control goals of the TVC and DVC are to maintain the terminal voltage and DC voltage at normal values, respectively. As the dynamic of ACC has been ignored, the VSC is recognized as a controlled current source. $\int (\bullet) dt$ presents an integral of the input.

A fifth-order dynamic model of a single VSC has been developed by us recently [9], which will be developed for a detailed modeling of a multi-VSC system. Below we will start from each controller dynamics, network description and establish a whole system model gradually.

For the PI controller in the DVC, the output of the integrator of PI₁ is denoted as $x_{1,i}$. Let $x_{1,i}$ be a state variable. Then the DVC can be represented by

$$\dot{x}_{1,i} = k_{i1,i} (U_{dc,i} - U_{dcref,i}), \quad (1)$$

where the dot represents the time derivative, along with an algebraic equation,

$$i_{d,i} = k_{p1,i} (U_{dc,i} - U_{dcref,i}) + x_{1,i}. \quad (2)$$

For the dynamics of the TVC, similarly let $x_{2,i}$ be the output of the integrator of PI₂, as a state variable. The TVC dynamics can be described by

$$\dot{x}_{2,i} = k_{i2,i} (U_{t,i} - U_{tref,i}), \quad (3)$$

and

$$i_{q,i} = k_{p2,i} (U_{t,i} - U_{tref,i}) + x_{2,i}, \quad (4)$$

where $U_{t,i}$ is the amplitude of the terminal voltage from the network,

$$U_{t,i} = \sqrt{u_{td,i}^2 + u_{tq,i}^2}. \quad (5)$$

The PLL is composed of not only the PI₃ controller, but also another integrator $1/s$, as shown in Figure 5. The output of PI₃ is the speed of the dq coordinate, $\omega_{pll,i}$, and it is integrated to obtain the phase of the PLL coordinate, θ_i . Again we separate the PI₃ into one integrator part and the other proportional part, and denote its integrator output as $x_{3,i}$.

We choose $x_{3,i}$ and θ_i as state variables and yield the dynamical second-order differential equation of the PLL,

$$\begin{cases} \dot{\theta}_i = k_{p3,i} \sin(\theta_{t,i} - \theta_i) + x_{3,i} = \omega_{pll,i}, \\ \dot{x}_{3,i} = k_{i3,i} \sin(\theta_{t,i} - \theta_i). \end{cases} \quad (6)$$

From Figure 4a, we get the so-called phase-locked angle error:

$$\theta_{t,i} - \theta_i = \arctan\left(\frac{u_{tq,i}}{u_{td,i}}\right). \quad (7)$$

Note that in the steady-state, $\theta_{t,i} = \theta_i$ and $u_{tq,i} = 0$.

Next for the DC capacitor, its dynamics is determined by the imbalance active power between the input and output of the VSC, i.e.,

$$d\left(\frac{1}{2}CU_{dc,i}^2\right)/dt = P_{in,i} - P_i, \quad (8)$$

or

$$\dot{U}_{dc,i} = \frac{1}{C_i U_{dc,i}} (P_{in,i} - P_i), \quad (9)$$

where $P_{in,i}$ is assumed to be a constant in our model and P_i denotes the output active power, determined by

$$P_i = u_{td,i}i_{d,i} + u_{tq,i}i_{q,i}. \quad (10)$$

Finally, we can combine the dynamical Equations (1), (3), (6), and (9), and get the following fifth-order differential equations for each VSC:

$$\begin{cases} \dot{x}_{1,i} = k_{i1,i} (U_{dc,i} - U_{dcref,i}), \\ \dot{x}_{2,i} = k_{i2,i} (U_{t,i} - U_{tref,i}), \\ \dot{\theta}_i = k_{p3,i} \sin(\theta_{t,i} - \theta_i) + x_{3,i}, \\ \dot{x}_{3,i} = k_{i3,i} \sin(\theta_{t,i} - \theta_i), \\ \dot{U}_{dc,i} = (P_{in,i} - P_i) / (C_i U_{dc,i}). \end{cases} \quad (11)$$

Clearly $x_{1,i}$, $x_{2,i}$, $x_{3,i}$, θ_i , and $U_{dc,i}$ are five state variables, marked red in Figure 5, where $x_{1,i}$, $x_{2,i}$, and $x_{3,i}$ are the outputs of the integrators of the corresponding PI controllers. The input variables from the network are $u_{td,i}$ and $u_{tq,i}$. In contrast, as the VSC can be regarded as a controlled current, $i_{d,i}$ in (2) and $i_{q,i}$ in (4) are set as the VSC outputs. In addition, substituting (5), (7), and (10) into (3), (4), (6), and (8), $U_{t,i}$, $\theta_{t,i}$, and P_i as intermediate variables can be removed and further represented by u_{td} and u_{tq} .

In summary, the dynamic model for each VSC is composed of the state-space Equation (11), along with the input Equations (5), (7), and (10) and the output Equations (2) and (4), showing highly interwoven nonlinear relations between these variables.

2.3. Network Modeling

For simplicity, we only consider inductance and neglect resistance and conductance. Based on the network topology in Figure 2 and applying the electric circuit theory [43], the mutual-susceptance between the device buses i and j , B_{ij} (or called inter-converter susceptance), and the self-susceptance of the i -th device bus, B_{ii} , can be expressed as, respectively,

$$B_{ij} = \frac{1}{X_{ij}} = B_{ji} = \frac{1}{X_{ji}}, \quad (12)$$

and

$$B_{ii} = \sum_{j=1, j \neq i}^n \frac{1}{X_{ij}} + \frac{1}{X_{gi}} = \sum_{j=1, j \neq i}^n B_{ij} + B_{gi}. \quad (13)$$

Similarly, the mutual-susceptance between the i -th VSC bus and the infinite bus, B_{gi} (or called converter-grid susceptance), and the self-susceptance of the infinite bus B_{gg} can be expressed as, respectively,

$$B_{gi} = \frac{1}{X_{gi}} = B_{ig} = \frac{1}{X_{ig}}, \quad (14)$$

and

$$B_{gg} = \sum_{i=1}^n B_{gi}. \quad (15)$$

With the voltage and current phasors, the bus admittance equation of the network [43] is

$$\begin{bmatrix} \vec{I}_1 \\ \vdots \\ \vec{I}_n \\ \vec{I}_{n+1} \end{bmatrix} = \begin{bmatrix} -jB_{11} & \cdots & jB_{1n} & jB_{g1} \\ \vdots & \ddots & \vdots & \vdots \\ jB_{n1} & \cdots & -jB_{nn} & jB_{gn} \\ jB_{g1} & \cdots & jB_{gn} & -jB_{gg} \end{bmatrix} \begin{bmatrix} \vec{U}_{t,1} \\ \vdots \\ \vec{U}_{t,n} \\ \vec{U}_{t,n+1} \end{bmatrix}, \quad (16)$$

where $\vec{I}_i = i_{x,i} + ji_{y,i}$ and $\vec{U}_{t,i} = u_{tx,i} + ju_{ty,i}$ for $i = 1, 2, \dots, n + 1$. $j = \sqrt{-1}$. We can further derive the network admittance equation in the xy synchronous coordinate, as shown in (19).

As mentioned before, the i -th VSC accepts voltage as inputs ($u_{td,i}$ and $u_{tq,i}$) from the network, and meanwhile provides current as outputs ($i_{d,i}$ and $i_{q,i}$) to the network. The coordinate transformations of these voltage and current between the dq coordinate and the xy coordinate are needed; based on Figure 4, we get

$$\begin{bmatrix} u_{td,i} \\ u_{tq,i} \end{bmatrix} = \begin{bmatrix} \cos \theta_i & \sin \theta_i \\ -\sin \theta_i & \cos \theta_i \end{bmatrix} \begin{bmatrix} u_{tx,i} \\ u_{ty,i} \end{bmatrix} \quad (17)$$

$$\begin{bmatrix} i_{d,i} \\ i_{q,i} \end{bmatrix} = \begin{bmatrix} \cos \theta_i & \sin \theta_i \\ -\sin \theta_i & \cos \theta_i \end{bmatrix} \begin{bmatrix} i_{x,i} \\ i_{y,i} \end{bmatrix} \quad (18)$$

From (16), we obtain

$$\begin{bmatrix} i_{x,1} \\ i_{y,1} \\ \vdots \\ i_{x,n} \\ i_{y,n} \\ i_{x,n+1} \\ i_{y,n+1} \end{bmatrix} = \begin{bmatrix} 0 & B_{11} & \cdots & 0 & -B_{1n} & 0 & -B_{g1} \\ -B_{11} & 0 & \cdots & B_{1n} & 0 & B_{g1} & 0 \\ \vdots & \vdots & \ddots & \vdots & \vdots & \vdots & \vdots \\ 0 & -B_{n1} & \cdots & 0 & B_{nn} & 0 & -B_{gn} \\ B_{n1} & 0 & \cdots & -B_{nn} & 0 & B_{gn} & 0 \\ 0 & -B_{g1} & \cdots & 0 & -B_{gn} & 0 & B_{gg} \\ B_{g1} & 0 & \cdots & B_{gn} & 0 & -B_{gg} & 0 \end{bmatrix} \begin{bmatrix} u_{tx,1} \\ u_{ty,1} \\ \vdots \\ u_{tx,n} \\ u_{ty,n} \\ u_{tx,n+1} \\ u_{ty,n+1} \end{bmatrix}. \quad (19)$$

Combining the above (17), (18) and (19) yields

$$\begin{bmatrix} i_{d,1} \\ i_{q,1} \\ \vdots \\ i_{d,n} \\ i_{q,n} \\ i_{d,n+1} \\ i_{q,n+1} \end{bmatrix} = Y_a \begin{bmatrix} u_{td,1} \\ u_{tq,1} \\ \vdots \\ u_{td,n} \\ u_{tq,n} \\ u_{td,n+1} \\ u_{tq,n+1} \end{bmatrix} \quad (20)$$

where

$$Y_a = \begin{bmatrix} 0 & B_{11} & \cdots & B_{1n} \sin \theta_{1n} & -B_{1n} \cos \theta_{1n} & B_{g1} \sin \theta_1 & -B_{g1} \cos \theta_1 \\ -B_{11} & 0 & \cdots & B_{1n} \cos \theta_{1n} & B_{1n} \sin \theta_{1n} & B_{g1} \cos \theta_1 & B_{g1} \sin \theta_1 \\ \vdots & \vdots & \ddots & \vdots & \vdots & \vdots & \vdots \\ B_{n1} \sin \theta_{n1} & -B_{n1} \cos \theta_{n1} & \cdots & 0 & B_{nn} & B_{gn} \sin \theta_n & -B_{gn} \cos \theta_n \\ B_{n1} \cos \theta_{n1} & B_{n1} \sin \theta_{n1} & \cdots & -B_{nn} & 0 & B_{gn} \cos \theta_n & B_{gn} \sin \theta_n \\ -B_{g1} \sin \theta_1 & -B_{g1} \cos \theta_1 & \cdots & -B_{gn} \sin \theta_n & -B_{gn} \cos \theta_n & 0 & B_{gg} \\ B_{g1} \cos \theta_1 & -B_{g1} \sin \theta_1 & \cdots & B_{gn} \cos \theta_n & -B_{gn} \sin \theta_n & -B_{gg} & 0 \end{bmatrix} \quad (21)$$

$\theta_{ij} = \theta_i - \theta_j$ in (21) denotes the phase-locked angle mismatch between i and j . Note that we will always use bold to represent a matrix in the paper.

2.4. Whole System Modeling

Clearly Equations (11) and (20), along with the input Equations (5), (7), and (10) and the output Equations (2) and (4) as the interface between VSCs and network, have constituted a nonlinear model for the whole multi-VSC infeed system within the DVC timescale. In this picture, each node serves as a controlled current source, whereas the network works as a reservoir for the interaction. In addition, we like to emphasize that differing from the usual treatment in power system analysis in textbooks [4], where the whole system is analyzed within the common xy synchronous coordinate, here oppositely we keep each VSC within its own PLL coordinate and deal with the interaction on the network within the dq coordinate of each VSC. Actually, it keeps the converter inner structure and makes system modeling and analysis more convenient.

3. Linear Modeling for Multi-Converter Infeed System

Now we like to step further for a small perturbation analysis, in the fashion of power electrical engineering [4]. Therefore, the above nonlinear equations will be linearized around the operating point (or called fixed point in the nonlinear dynamics field) with the linear system theory employed.

3.1. Operating Point

By setting the right side of (11) equal zero, the operating point can be solved: $U_{t0,i} = U_{tref,i}$, $\theta_{i0} = \theta_{t0,i}$, and thus $u_{d0,i} = U_{t0,i}$ and $u_{q0,i} = 0$. $U_{dc0,i} = U_{dcref,i}$, $P_{i0} = P_{in,i}$. We will always use the subscript 0 to represent the operating point under the steady-state. Let $U_{t0,i} = U_{dc0,i} = 1$ in the per unit system, to simplify the calculation. In addition, $U_g = 1$ for the infinite bus. In this way, the output power P_{i0} and the terminal voltage amplitude $U_{t0,i}$ of each VSC can be obtained. By treating these VSC buses as PV buses, the system steady-state can be analyzed by solving the so-called power flow [4–6]. As a result, we obtain the current at the operating point $i_{d0,i}$ and $i_{q0,i}$, and the steady-state phase-lock angle θ_{i0} . All parameters are listed in Appendix A.

3.2. VSC Linearization

The state variable of VSC is denoted by

$$\Delta X_{VSC,i} = [\Delta x_{1,i}, \Delta x_{2,i}, \Delta \theta_i, \Delta x_{3,i}, \Delta U_{dc,i}]^T \quad (22)$$

The state-space equations for VSCs can be inferred by linearizing (11). Here we use the prefix Δ to represent a small-signal variable. The output of VSC (also the network input) is denoted by

$$\Delta \mathbf{I}_i = [\Delta i_{d,i} \ \Delta i_{q,i} \ \Delta \theta_i]^T. \quad (23)$$

For convenience of matrix calculation later, here we also add $\Delta \theta_i$ in the input variables of VSC,

$$\Delta \mathbf{U}_i = [\Delta u_{d,i} \ \Delta u_{q,i} \ \Delta \theta_i]^T. \quad (24)$$

As a result, by linearizing and combining (5), (7), (10), and (11), we get the small-signal state-space equations of VSC in the matrix form

$$\Delta \dot{\mathbf{X}}_{VSC,i} = \mathbf{F}_i \Delta \mathbf{X}_{vsc,i} + \mathbf{H}_i \Delta \mathbf{U}_i, \quad (25)$$

where

$$\mathbf{F}_i = \begin{bmatrix} 0 & 0 & 0 & 0 & k_{i1,i} \\ 0 & 0 & 0 & 0 & 0 \\ 0 & 0 & 0 & 1 & 0 \\ 0 & 0 & 0 & 0 & 0 \\ -\frac{1}{C_i} & 0 & 0 & 0 & -\frac{k_{p1,i}}{C_i} \end{bmatrix}, \quad \mathbf{H}_i = \begin{bmatrix} 0 & 0 & 0 \\ k_{i2,i} & 0 & 0 \\ 0 & k_{p3,i} & 0 \\ 0 & k_{i3,i} & 0 \\ -\frac{i_{d0,i}}{C_i} & -\frac{i_{q0,i}}{C_i} & 0 \end{bmatrix}. \quad (26)$$

Note that the last column of \mathbf{H}_i is all zero, indicating that the $\Delta \theta_i$ in $\Delta \mathbf{U}_i$ has no any effect according to (25).

Correspondingly, the VSC output matrix can be obtained by linearizing and combining (2), (4), and (5),

$$\Delta \mathbf{I}_i = \mathbf{J}_i \Delta \mathbf{X}_{vsc,i} + \mathbf{K}_i \Delta \mathbf{U}_i, \quad (27)$$

where

$$\mathbf{J}_i = \begin{bmatrix} 1 & 0 & 0 & 0 & k_{p1,i} \\ 0 & 1 & 0 & 0 & 0 \\ 0 & 0 & 1 & 0 & 0 \end{bmatrix}, \quad \mathbf{K}_i = \begin{bmatrix} 0 & 0 & 0 \\ k_{p2,i} & 0 & 0 \\ 0 & 0 & 0 \end{bmatrix}. \quad (28)$$

Note also that among the four matrices \mathbf{F}_i , \mathbf{H}_i , \mathbf{J}_i , and \mathbf{K}_i , only \mathbf{H}_i depends on the steady-state values of $i_{d0,i}$ and $i_{q0,i}$, whereas all other matrices depend on fixed system parameters only.

3.3. Network Linearization

The network Equation (20) should also be linearized. As we know, there are $n + 1$ buses with three input or output variables for each bus, as shown in (23) and (24). The dimension of the linear nodal admittance matrix should be $3(n + 1) \times 3(n + 1)$. However, as the voltage amplitude and phase on the infinite $(n + 1)$ -th bus are constant ($U_g = 1$ and $\theta_{t,n+1} = 0$), their perturbed variables can be eliminated completely. We obtain the final linear nodal admittance matrix \mathbf{Y}_c with the dimension of $3n \times 3n$:

$$\begin{bmatrix} \Delta \mathbf{I}_1 \\ \vdots \\ \Delta \mathbf{I}_n \end{bmatrix} = \mathbf{Y}_c \begin{bmatrix} \Delta \mathbf{U}_1 \\ \vdots \\ \Delta \mathbf{U}_n \end{bmatrix}, \quad (29)$$

where \mathbf{Y}_c can be divided into the $n \times n$ partitioned matrix

$$\mathbf{Y}_c = \begin{bmatrix} \mathbf{Y}_{c,11} & \mathbf{Y}_{c,12} & \cdots & \mathbf{Y}_{c,1n} \\ \mathbf{Y}_{c,21} & \mathbf{Y}_{c,22} & \cdots & \mathbf{Y}_{c,2n} \\ \vdots & \vdots & \ddots & \vdots \\ \mathbf{Y}_{c,n1} & \mathbf{Y}_{c,n2} & \cdots & \mathbf{Y}_{c,nn} \end{bmatrix} \quad (30)$$

with the diagonal block of Y_c expressed as

$$Y_{c,ii} = \begin{bmatrix} 0 & B_{ii} & B_{gi} \cos \theta_{i0} + \sum_{j=1, j \neq i}^n B_{ij} \cos \theta_{ij0} \\ -B_{ii} & 0 & -B_{gi} \sin \theta_{i0} - \sum_{j=1, j \neq i}^n B_{ij} \sin \theta_{ij0} \\ 0 & 0 & 1 \end{bmatrix}_{3 \times 3} \quad (31)$$

and the off-diagonal blocks of Y_c ($i \neq j$) expressed as

$$Y_{c,ij} = \begin{bmatrix} B_{ij} \sin \theta_{ij0} & -B_{ij} \cos \theta_{ij0} & -B_{ij} \cos \theta_{ij0} \\ B_{ij} \cos \theta_{ij0} & B_{ij} \sin \theta_{ij0} & B_{ij} \sin \theta_{ij0} \\ 0 & 0 & 0 \end{bmatrix}_{3 \times 3} \quad (32)$$

Here $\theta_{ij0} = \theta_{i0} - \theta_{j0}$ denotes the phase-locked angle difference between i and j under the steady-state.

3.4. Characteristic Equation for Linear System Modeling

Finally, by combining (25), (27), and (29), and eliminating ΔU_i and ΔI_i , we get the linearized model,

$$\Delta \dot{X}_{VSC,i} = A \Delta X_{VSC,i}, \quad (33)$$

where the small-signal stability should be determined by A ; A is the characteristic matrix with the dimension of $5n \times 5n$,

$$A = F + H(Y_c - K)^{-1}J \quad (34)$$

with F , H , J , and K being all n -block diagonal partitioned matrices,

$$\begin{aligned} F &= \text{diag}(F_1, \dots, F_n), \\ H &= \text{diag}(H_1, \dots, H_n), \\ J &= \text{diag}(J_1, \dots, J_n), \\ K &= \text{diag}(K_1, \dots, K_n). \end{aligned} \quad (35)$$

Now we have established the complete state-space model of the n -VSC system after knowing all system parameters and the steady-state operating points through power flow calculation. We get the unified mathematical form of the characteristic matrix which can be directly extended into the system of any number of VSCs. If all eigenvalues of A are located in the left-half-plane, the system would be locally stable. In this way, the eigenvalue calculation of a huge matrix A should be conducted. Below, however, we like to step ahead for a possible order reduction and search for a physical result.

4. Small-Signal Stability Analysis for Multi-Converter Infeed System with Symmetry

4.1. Small-Signal Stability Analysis for a Single VSC System

First, we start from the simplest case of a single VSC infeed system in Figure 6, where the VSC-grid reactance X_g represents the reactance between the VSC and the infinite grid. Under this situation, the characteristic matrix can be easily obtained from (34),

$$A_{\text{single}} = F_s + H_s(Y_{c,\text{single}} - K_s)^{-1}J_s, \quad (36)$$

where F_s ($F_s = F_1$), H_s ($H_s = H_1$), J_s ($J_s = J_1$), and K_s ($K_s = K_1$) correspond to the only one block matrix determined by the single VSC in (26) and (28), with the corresponding network matrix derived from $Y_{c,ii}$ in (31),

$$Y_{c,single} = \begin{bmatrix} 0 & B_g & B_g \cos \theta_0 \\ -B_g & 0 & -B_g \sin \theta_0 \\ 0 & 0 & 1 \end{bmatrix}. \quad (37)$$

Here, the VSC-grid susceptance $B_g = 1/X_g$ and θ_0 denotes the steady-state value of the phase-locked angle of the single VSC.

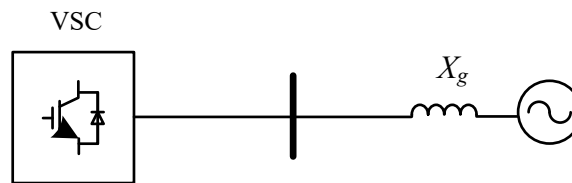


Figure 6. Schematic show for a single VSC infeed system.

For such a small system, the five eigenvalues of A_{single} in (36) can be easily calculated. We will see that this simple-converter system plays a crucial role in our multi-converter system stability analysis.

4.2. Decoupling of Multi-VSC Infeed System with Symmetry

Now to analyze the multi-VSC infeed system, we consider some symmetry assumptions. As the first assumption, all VSCs should have the same control loops, control parameters, and DC capacity. Hence F_i , H_i , J_i , and K_i are all identical and can be simplified as F_s , H_s , J_s , and K_s , respectively. Therefore, we get

$$\begin{aligned} F &= \text{diag}(F_s, \dots, F_s), \\ H &= \text{diag}(H_s, \dots, H_s), \\ J &= \text{diag}(J_s, \dots, J_s), \\ K &= \text{diag}(K_s, \dots, K_s), \end{aligned} \quad (38)$$

corresponding to the original (35).

In addition, Y_c in (34) should also be decoupled and then the characteristic matrix A is solvable. Observing that both $Y_{c,ii}$ in (31) and $Y_{c,ij}$ (32) highly depend on the steady-state phase-locked angle difference θ_{ij0} ($\theta_{ij0} = \theta_{i0} - \theta_{j0}$), we can make the second assumption that the VSC-grid susceptance B_{ig} should be identical. It is also notable that the inter-VSC susceptance B_{ij} can be different. Under this assumption, we define

$$B_g = 1/X_g = B_{ig} = 1/X_{ig} \quad (39)$$

for all i 's ($i = 1, \dots, n$).

Hence we have $\theta_{i0} = \theta_0$ for all i 's ($i = 1, \dots, n$). The purpose of the second assumption is to let all VSCs have the same operating points under the steady-state, including their state variables and the phase-locked angle. The current through their inter-VSC conductance is zero, just the same as the corresponding single-VSC infeed system.

Meanwhile, based on

$$\sum_{j=1, j \neq i}^n B_{ij} = B_{ii} - B_g \quad (40)$$

or

$$B_{ii} = \sum_{j=1, j \neq i}^n B_{ij} + B_g \quad (41)$$

from (12) and (13), and $\theta_{ij0} = 0$, the expression of Y_c can be simplified, with its self-admittance and mutual-admittance matrices expressed as

$$Y'_{c,ii} = \begin{bmatrix} 0 & B_{ii} & B_g \cos \theta_{i0} + B_{ii} - B_g \\ -B_{ii} & 0 & -B_g \sin \theta_{i0} \\ 0 & 0 & 1 \end{bmatrix}, \tag{42}$$

and

$$Y'_{c,ij} = \begin{bmatrix} 0 & -B_{ij} & -B_{ij} \\ B_{ij} & 0 & 0 \\ 0 & 0 & 0 \end{bmatrix}, \tag{43}$$

from (31) and (32), respectively.

According to (30), we have (44) under the above assumptions. Based on $Y'_{c,ij} = Y'_{c,ji}$, Y_c is a partitioned symmetric matrix. Since symmetric matrices can be diagonalized in matrix theory [44], we perform the block-diagonalization of the block symmetric matrix as follows.

$$Y_c = \begin{bmatrix} Y'_{c,11} & Y'_{c,12} & \cdots & Y'_{c,1n} \\ Y'_{c,21} & Y'_{c,22} & \cdots & Y'_{c,2n} \\ \vdots & \vdots & \ddots & \vdots \\ Y'_{c,n1} & Y'_{c,n2} & \cdots & Y'_{c,nn} \end{bmatrix} = \begin{bmatrix} 0 & B_{11} & B_g \cos \theta_0 + B_{11} - B_g & \cdots & 0 & -B_{1n} & -B_{1n} \\ -B_{11} & 0 & -B_g \sin \theta_0 & \cdots & B_{1n} & 0 & 0 \\ 0 & 0 & 1 & \cdots & 0 & 0 & 0 \\ \vdots & \vdots & \vdots & \ddots & \vdots & \vdots & \vdots \\ 0 & -B_{n1} & -B_{n1} & \cdots & 0 & B_{nn} & B_g \cos \theta_0 + B_{nn} - B_g \\ B_{n1} & 0 & 0 & \cdots & -B_{nn} & 0 & -B_g \sin \theta_0 \\ 0 & 0 & 0 & \cdots & 0 & 0 & 1 \end{bmatrix} \tag{44}$$

Observing that $Y'_{c,ji}$ ($i, j = 1, \dots, n$) has similar structure with each other, we simply exchange the rows and columns of Y_c according to the following rules: move the $(3k - 2)$ -th row to the k -th one, move the $(3k - 1)$ -th row to $(k + n)$ -th one, move the $3k$ -th row to $(k + 2n)$ -th one for all k 's ($k = 1, \dots, n$), and applying the same rules to all columns, we obtain (45). Clearly, the above switching manipulation on the rows and columns of Y_c is a similarity transformation, which does not change the eigenvalues of Y_c .

$$Y_c \sim \begin{bmatrix} 0 & \cdots & 0 & B_{11} & \cdots & -B_{1n} & B_{11} + B_g \cos \theta_0 - B_g & \cdots & -B_{1n} \\ \vdots & \ddots & \vdots & \vdots & \ddots & \vdots & \vdots & \ddots & \vdots \\ 0 & \cdots & 0 & -B_{n1} & \cdots & B_{nn} & -B_{n1} & \cdots & B_{nn} + B_g \cos \theta_0 - B_g \\ -B_{11} & \cdots & B_{1n} & 0 & \cdots & 0 & -B_g \sin \theta_0 & \cdots & 0 \\ \vdots & \ddots & \vdots & \vdots & \ddots & \vdots & \vdots & \ddots & \vdots \\ B_{n1} & \cdots & -B_{nn} & 0 & \cdots & 0 & 0 & \cdots & -B_g \sin \theta_0 \\ 0 & \cdots & 0 & 0 & \cdots & 0 & 1 & \cdots & 0 \\ \vdots & \ddots & \vdots & \vdots & \ddots & \vdots & \vdots & \ddots & \vdots \\ 0 & \cdots & 0 & 0 & \cdots & 0 & 0 & \cdots & 1 \end{bmatrix} = \begin{bmatrix} \mathbf{0}_n & Y_e & Y_e + (B_g \cos \theta_0 - B_g) \mathbf{I}_n \\ -Y_e & \mathbf{0}_n & (-B_g \sin \theta_0) \mathbf{I}_n \\ \mathbf{0}_n & \mathbf{0}_n & \mathbf{I}_n \end{bmatrix}, \tag{45}$$

where the symbol \sim is used to denote the similarity diagonal transformation, I_n is the identity matrix with the dimension of $n \times n$, 0_n is the zero matrix with the dimension of $n \times n$, and the matrix Y_e with the dimension of $n \times n$ can be expressed as

$$Y_e = \begin{bmatrix} B_{11} & -B_{12} & \cdots & -B_{1n} \\ -B_{21} & B_{22} & \cdots & -B_{2n} \\ \vdots & \vdots & \ddots & \vdots \\ -B_{n1} & -B_{n2} & \cdots & B_{nn} \end{bmatrix}. \quad (46)$$

Then supposing B_{ei} 's ($i = 1, \dots, n$) are the eigenvalues of Y_e , we have

$$Y_e \sim \text{diag}(B_{e1}, \dots, B_{en}), \quad (47)$$

Y_e is diagonalized first and then let the rows and columns of Y_c transformed in the reverse order of the previous sequence. Thus we realize the block diagonalization of Y_c .

$$Y_c \sim \text{diag}(Y_{d1}, \dots, Y_{dn}) \quad (48)$$

with

$$Y_{d,i} = \begin{bmatrix} 0 & B_{ei} & B_{ei} + B_g \cos \theta_0 - B_g \\ -B_{ei} & 0 & -B_g \sin \theta_0 \\ 0 & 0 & 1 \end{bmatrix}. \quad (49)$$

Substituting (48) into (34), we get the decoupled form of the characteristic matrix A

$$A \sim \text{diag}(A_1, \dots, A_n) \quad (50)$$

and

$$A_i = F_s + H_s (Y_{d,i} - K_s)^{-1} J_s. \quad (51)$$

Till now, we achieve the decoupling of the whole n-VSC system. The eigenvalues of the sub-matrix A_i ($i = 1, \dots, n$) together constitute the eigenvalues of A matrix. Clearly, A_i has the exact same form as that for the single VSC system in (36), expect their specific matrices $Y_{d,i}$ in (49) for the decoupled subsystems and $Y_{c,single}$ in (37) for the single-converter system are slightly different. Below we would further analyze their relation between $Y_{d,i}$ and $Y_{c,single}$.

4.3. Analysis for Subsystems

Now the focus is on B_{ei} as it is the main variable of the matrix $Y_{d,i}$ in (49). Based on $B_{ij} = B_{ji}$ in (12), clearly Y_e is a real symmetric matrix, whose eigenvalues are real according to the matrix theory [44]. In addition, inputting (41) into (46) we get

$$Y_e = Y_e' + B_g I_n, \quad (52)$$

where

$$Y_e' = \begin{bmatrix} \sum_{j=1, j \neq 1}^n B_{1j} & -B_{12} & \cdots & -B_{1n} \\ -B_{21} & \sum_{j=1, j \neq 2}^n B_{2j} & \cdots & -B_{2n} \\ \vdots & \vdots & \ddots & \vdots \\ -B_{n1} & -B_{n2} & \cdots & \sum_{j=1, j \neq n}^n B_{nj} \end{bmatrix}. \quad (53)$$

Again on the basis of the matrix theory, we know that Y'_e is a Laplacian matrix, whose minimal eigenvalue is zero [44]. Therefore, a direct product is that the minimal eigenvalue of Y_e is B_g , namely, if we arrange B_{ei} ($i = 1, \dots, n$) in an increasing order, we have

$$B_{e1} = B_g \quad (54)$$

and

$$B_{ei} > B_g \quad (55)$$

for all $i \geq 2$.

Therefore, inputting (54) into $Y_{d,i}$ in (49), we immediately find that

$$Y_{d,1} = Y_{c,single}. \quad (56)$$

This indicates that the first subsystem B_{e1} is just a single-VSC system under B_g .

Next let us study the cases for $i \geq 2$. By a careful comparing of $Y_{d,i}$ in (49) and $Y_{c,single}$ in (37), we can see that these two matrices have a similar structure. If we define an equivalent susceptance $B_{g,eff}$ for the subsystem i ,

$$B_{ei} = B_{g,eff}, \quad (57)$$

from (37), we have its corresponding equivalent matrix,

$$Y'_{c,single} = \begin{bmatrix} 0 & B_{g,eff} & B_{g,eff} \cos \theta'_0 \\ -B_{g,eff} & 0 & -B_{g,eff} \sin \theta'_0 \\ 0 & 0 & 1 \end{bmatrix}. \quad (58)$$

Note that here θ'_0 corresponding to $B_{g,eff}$ can be different with θ_0 under B_g .

The remaining point is to uncover the relation between $Y_{d,i}$ for the subsystem i in (49) and $Y'_{c,single}$ for an equivalent single-VSC system in (58). After some cumbersome calculations, we can prove that

$$Y_{d,i}(2,3) = Y'_{c,single}(2,3) \quad (59)$$

and

$$Y_{d,i}(1,3) \approx Y'_{c,single}(1,3) \quad (60)$$

under certain conditions which are usually fulfilled. The details will be presented and the applicable conditions for the approximate equivalence will be discussed in Appendix B.

Therefore, we find that each subsystem can be regarded as a single-VSC system under an equivalent grid susceptance $B_{g,eff}$, which is identical to the corresponding eigenvalue B_{ei} of the matrix Y_e . Meanwhile, based on the mature experience in power systems, a smaller line susceptance (or a larger line inductance) could ruin its stability in the single-VSC system. Hence, we conclude that the first subsystem under B_{e1} ($B_{e1} = B_g$) should determine the stability of the whole system, based on the fact that B_{e1} is minimal among all eigenvalues of B_{ei} . In this respect, we obtain that the converter-grid susceptance B_g (or reactance X_g) is the most important parameter, whereas all inter-converter susceptance B_{ij} 's (or reactance X_{ij} 's) could only influence the stability of subsystem i ($i \geq 2$), but not that of the whole system.

The whole derivation process is clearly illustrated in the flow chart in Figure 7.

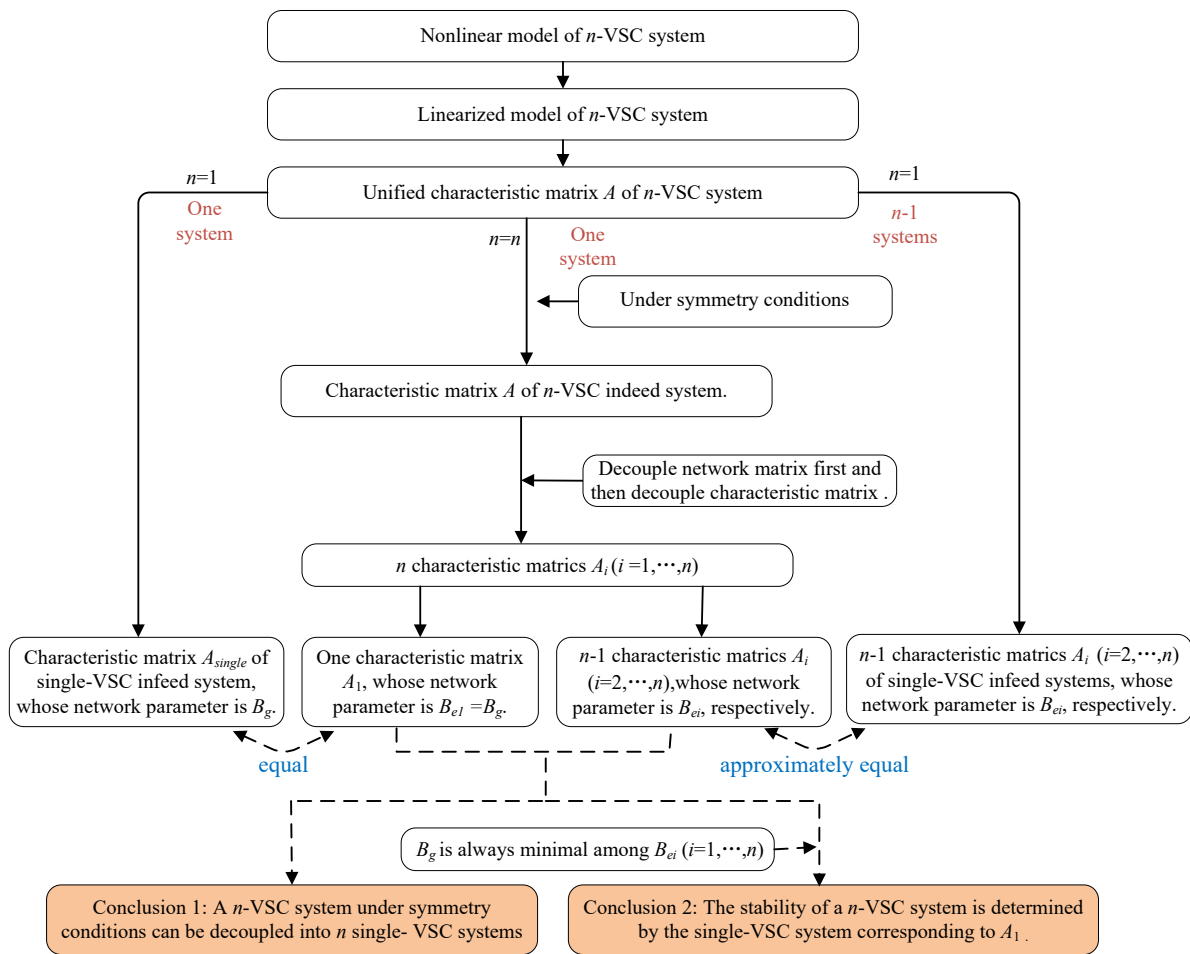


Figure 7. Flow chart of the conclusion derivation.

5. Test System and Simulation Results

5.1. Single-VSC Infeed System

As a comparison, we first study the stability of the single-VSC system in Figure 6 with the parameters summarized in Appendix A. The root locus results for different network reactance X_g 's are presented in Figure 8, with an increase of X_g from 0.1 (circle) to 1.1 (star) representing a weaker system. These calculations show a clear critical reactance $X_{g,c}$: $X_{g,c} \approx 0.98$, for a pair of λ_1 and λ_2 coming across the imaginary axis. For $X_g > X_{g,c}$, the system would become unstable.

Furthermore, the participating factor analysis is employed to identify the relations between eigenvalues and control loop parameters [4–6]. We find that λ_1 and λ_2 as a pair are mainly related to the DVC, λ_3 and λ_4 as a pair are connected with the PLL, and λ_5 is associated with the TVC. With X_g gradually increasing for a weaker grid, λ_1 and λ_2 become the dominant modes and make the system unstable, but meanwhile λ_5 oppositely moves from right to left, seemingly enhancing the system stability.

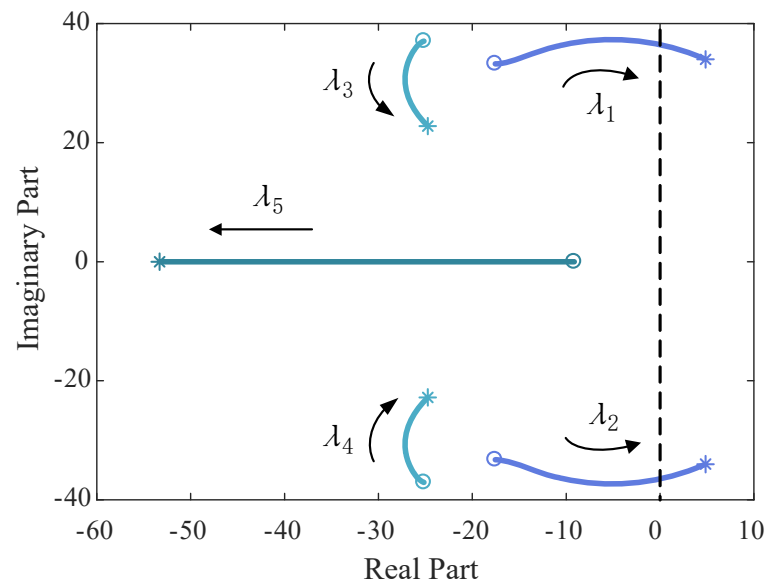


Figure 8. Root loci of the single-VSC infeed system with the converter-grid reactance X_g varying from 0.1 (circle) to 1.1 (star). In particular, a critical reactance $X_{g,c}$ exists; $X_{g,c} \approx 0.98$. For $X_g > X_{g,c}$, the system becomes unstable.

5.2. Multi-VSC Infeed System

Without losing generality, a three-VSC infeed system with symmetry is studied under the condition that all VSC-grid reactances are identical $X_{gi} = X_{ig} = X_g$, for $i = 1, \dots, n$. The VSC parameters remain unchanged in Appendix A. Extensive numerical simulations have been conducted and found to support the above theoretical analysis.

In the first test, the VSC-grid reactance is fixed but the inter-VSC reactance changes. We fix $X_{g1} = X_{g2} = X_{g3} = X_g = 0.5$, $X_{13} = 0.2$, and $X_{23} = 0.8$, but change X_{12} from 0.1 to 1.1. Again the root loci are calculated and illustrated in Figure 9a. In addition, we calculate the three eigenvalues of \mathbf{Y}_e : B_{e1} , B_{e2} , and B_{e3} , and treat them as the effective network conductances in three independent single-VSC systems. For example, under $X_{12} = 0.1$ (circle), $B_{e1} = 2$ (or $X_{g1,eff} = 1/B_{e1} = 0.5$), $B_{e2} \approx 10.7$ (or $X_{g2,eff} = 1/B_{e2} \approx 0.09$), and $B_{e3} \approx 25.9$ (or $X_{g3,eff} = 1/B_{e3} \approx 0.04$). Additively under $X_{12} = 1.1$ (circle), $B_{e1} = 2$ (or $X_{g1,eff} = 1/B_{e1} = 0.5$), $B_{e2} \approx 5.2$ (or $X_{g2,eff} = 1/B_{e2} \approx 0.2$), and $B_{e3} \approx 13.1$ (or $X_{g3,eff} = 1/B_{e3} \approx 0.08$). Then, the root loci of all these three decoupled single-VSC systems are plotted in Figure 9b–d, respectively. Note that Figure 9b is actually the decoupled system corresponding to X_g . Comparing these three panels (Figure 9b–d) with Figure 9a, one can clearly see that the whole three-VSC system indeed has been divided into three single-VSC systems, with nearly unchanged eigenvalues. This perfectly demonstrates the validity of our theory. Finally, recall that though λ_5 's in Figure 9c,d are near to the imaginary axis compared to Figure 9b, it does not mean that these two subsystems in Figure 9c,d are more likely to cause instability than the dominant subsystem in Figure 9b. Because λ_5 always moves from right to left for a larger X_g and won't cause instability, as we can see in Figure 8.

For the second test, we fix the inter-converter reactance, $X_{12} = X_{23} = X_{13} = 0.5$, but vary the converter-grid reactance. The root loci for an increasing X_g from 0.1 (circle) to 1.1 (star) are illustrated in Figure 10a. Similarly, Figure 10b–d show the corresponding results for the three decoupled single-VSC systems. By comparing these sub-figures, again the whole system has been well divided into three single-VSC systems and clearly the dominant subsystem is in Figure 10b. Some small visible deviations in Figure 10 might come from the approximation induced by Equation (60).

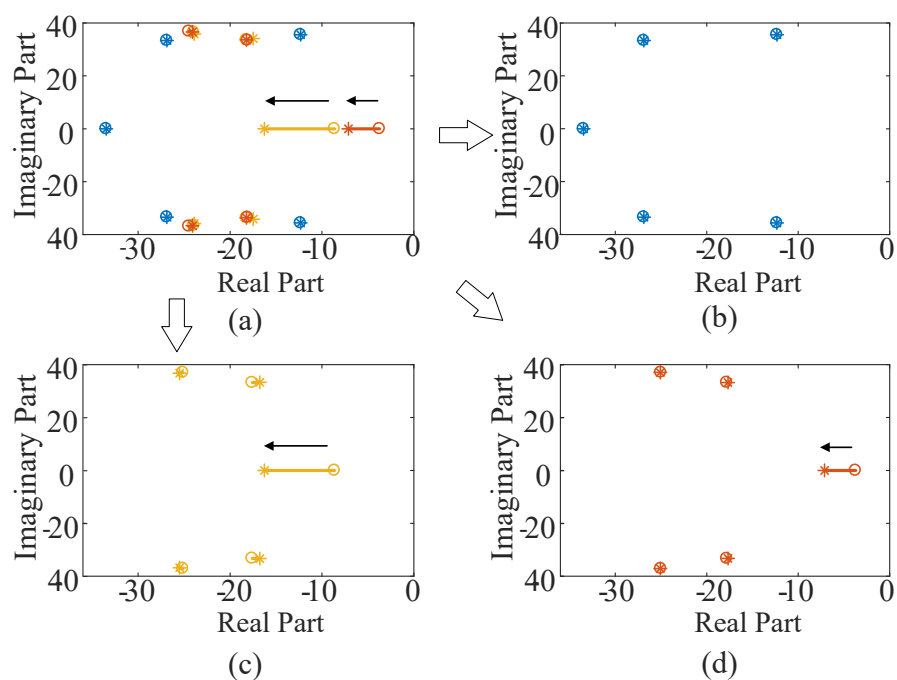


Figure 9. Comparison of the numerical root loci of the three-VSC infeed system in (a) and its three theoretical decoupled subsystems in (b–d), based on the three estimated effective converter-grid inductance B_{e1}, B_{e2}, B_{e3} correspondingly. For the parameters, we fix $X_g = 0.5$, $X_{13} = 0.2$, and $X_{23} = 0.8$, but change X_{12} from 0.1 (circle) to 1.1 (star).

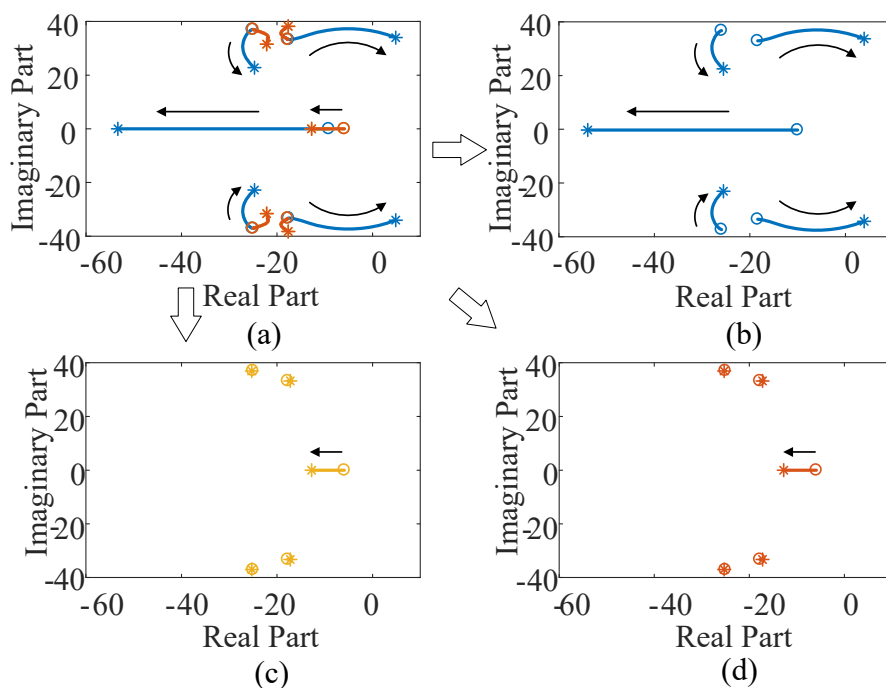


Figure 10. Comparison of the numerical root loci of the three-VSC infeed system in (a) and its three theoretical decoupled subsystems in (b–d), based on the three estimated effective converter-grid inductance B_{e1}, B_{e2}, B_{e3} correspondingly. Similar to Figure 9, but for another parameter test, instead. Now we fix $X_{12} = X_{23} = X_{13} = 0.5$ and change X_g from 0.1 (circle) to 1.1 (star).

To be clearer, we present the corresponding eigenvalues data of Figures 8–10 in Appendix C.

5.3. Time-Domain Simulation Results

To verify the above small-signal stability analysis results, sufficient time-domain simulations on the original nonlinear system were conducted in the MATLAB/Simulink. The controller parameters used are listed in the Appendix A. First, the single-VSC system in Figure 6 is studied with the identical device parameters. Three tests for different VSC-grid reactances, including $X_g = 0.9$, $X_g = 0.98$, and $X_g = 1.0$ were conducted. A small step disturbance of amplitude, 0.01 p.u., was added on i_{d0} at the beginning, which indicates that there is a small node injection current disturbance. The corresponding three terminal voltages of VSC are shown in Figure 11a, where the three curves are for stable, critical stable, and unstable behaviors, respectively. The occurrence of a critical VSC-grid reactance at $X_{g,c} \approx 0.98$ in the plots is in accordance with the eigenvalue analysis in Figure 8 before.

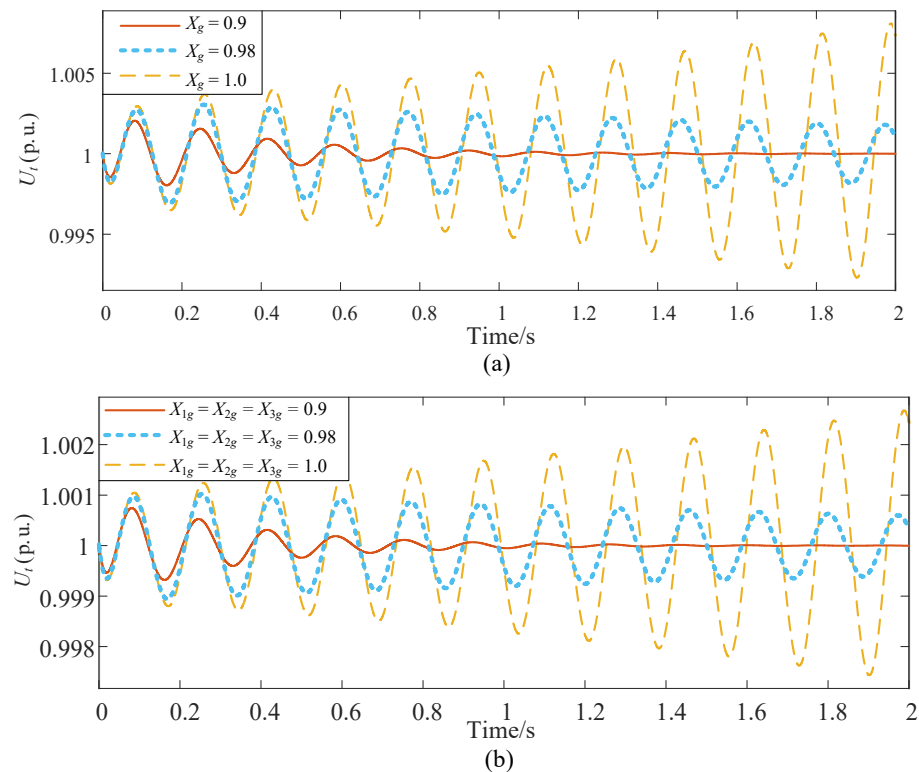


Figure 11. Time-domain simulation results for the single-VSC infeed system (a) and the three-VSC infeed system (b). Both cases show that the critical reactance X_g is 0.98. In (b), for other parameters, $X_{12} = 0.5$, $X_{13} = 0.2$, and $X_{23} = 0.8$ are arbitrarily chosen.

For comparison, a three-VSC system has been studied. As the condition for identical VSC-grid reactances is necessary in our theory, we consider $X_{1g} = X_{2g} = X_{3g} = 0.9$, $X_{1g} = X_{2g} = X_{3g} = 0.98$, and $X_{1g} = X_{2g} = X_{3g} = 1.0$, corresponding to the above three cases of a single-VSC system. The other parameters for the inter-VSC reactances $X_{12} = 0.5$, $X_{13} = 0.2$, and $X_{23} = 0.8$ has been arbitrarily chosen. The same disturbance is given to one VSC, with its corresponding terminal voltage waveform shown in Figure 11b. Comparing these two panels in Figure 11, one can clearly see that the critical VSC-grid reactance in the multi-converter system is nearly unchanged; $X_{g,c} \approx 0.98$. This again demonstrates that the whole large-scale system dynamics is indeed solely described by only one dominant subsystem with the key parameter X_g .

6. Conclusions

In conclusion, we have developed an appropriate theory for the small-signal stability in multi-converter systems, from nonlinear modeling to linear modeling and its approximation, based on three important techniques: multi-timescale decomposition, linearization,

and symmetry decoupling. We have found that, under the approximation assumptions, the whole huge system can be well-decomposed into several subsystems and each subsystem can be treated as a single-converter system with an effective network susceptance. The stability of the large-scale multi-converter system is determined by only one dominant subsystem, whose network parameter is equal to the original converter-grid susceptance.

Essentially, the key to decouple the multi-machine power system into several single-machine systems is to decouple the power network, which is often represented by the admittance matrix in the mathematical model. The matrix itself has a natural symmetry. Only when the matrix of each device connected in the network does not destroy this symmetry, the characteristic matrix of the whole system keeps symmetric and then we can decouple the power system. Therefore, we put forward strict conditions for the device and network in this paper to meet the requirement of precise decoupling. However, when the parameters of the device or network appear little deviation or the power flow in the network is not obviously asymmetric, the decoupling condition may be relaxed, so that it can be better applied and popularized in real scenes. We believe that this theory provides a theoretical tool for analyzing integrated renewable power systems and helps to find the key transmission lines.

On the other hand, as is known, the multi-converter system is also a typical networked dynamical system consisting of dynamical nodes and a stationary network. Possible methods and techniques from relevant disciplines, such as complex systems, nonlinear dynamics, and statistical mechanics as well, are highly appreciated. Different from the well studied synchronization process in traditional power grids, the physical mechanism of the power-electronic-based power grid remains obscure. We hope that our paper could fill the gap between power electrical engineering and contemporary physics by a clear description of modeling details of power electronic devices. It could arouse extensive interests among physicists with network dynamics background for further investigations.

Author Contributions: Conceptualization, J.Y. and Z.Y.; methodology, J.Y. and Z.Y.; software, J.Y. and Z.Y.; validation, J.Y., Z.Y. and M.Z.; formal analysis, J.Y. and M.Z.; investigation, J.Y. and Z.Y.; resources, J.K. and M.Z.; data curation, J.Y. and Z.Y.; writing—original draft preparation, J.Y.; writing—review and editing, J.Y., Z.Y., J.K. and M.Z.; visualization, J.Y. and Z.Y.; supervision, J.K. and M.Z.; project administration, J.K. and M.Z.; funding acquisition, J.K. and M.Z. All authors have read and agreed to the published version of the manuscript.

Funding: This research was funded by the National Natural Science Foundation of China through the International (Regional) Cooperation and Exchange Program (Research on Inter-Organizational Cooperation: NSFC-DFG) grant number 11861131011 and the National Natural Science Foundation of China under grant number 12075091. The APC was funded by the National Natural Science Foundation of China through the International (Regional) Cooperation and Exchange Program.

Acknowledgments: The authors thank the National Natural Science Foundation of China through the International (Regional) Cooperation and Exchange Program (Research on Inter-Organizational Cooperation: NSFC-DFG) under Grant no. 11861131011, the National Natural Science Foundation of China under Grant no. 12075091. J.K. acknowledges support from Russian Ministry of Science and Education “Digital biodesign and personalised healthcare”.

Conflicts of Interest: The authors declare no conflict of interest.

Appendix A. Converter Parameters

System parameters: $S_{base} = 2$ MW, $U_{base} = 690$ V (phase voltage), $f_{base} = 50$ Hz, $\omega_{base} = 2\pi \times f_{base}$, $U_{dcbase} = 1400$ V, $U_{dcref} = 1.0$ p.u., $C = 0.1$ F, $U_{tref} = 1.0$ p.u., $U_g = 1.0$ p.u.

Device parameters: $k_{p1} = 3.5$, $k_{i1} = 140$ for the DVC; $k_{p2} = 1$, $k_{i2} = 100$ for the TVC; $k_{p3} = 50$, $k_{i3} = 2000$ for the PLL control; $P_{in,i} = 0.8$.

Appendix B. Details Derivations for Approximate Equivalence of the Network Matrices

Let us take a close look at the voltage and current phasor relation in the single-converter system under an equivalent susceptance $B_{g,eff}$ in Figure A1. As the steady-state is considered, the d -axis should always be aligned with the terminal voltage phasor \vec{U}_{t0} . For simplicity, we use $\vec{\varepsilon}$ to denote the voltage phasor of the infinite bus, i.e., $\vec{\varepsilon} = \vec{U}_{t0,n+1}$. Here the phase-locked angle θ'_0 for $B_{g,eff}$ can be different with θ_0 under B_g .

We have the relation between \vec{U}_{t0} and $\vec{\varepsilon}$ via \vec{I}'_0 , i.e.,

$$\vec{U}_{t0} = \vec{\varepsilon} + j \vec{I}'_0 / B_{g,eff}. \quad (A1)$$

Here $j = \sqrt{-1}$. Further, based on $\vec{U}_{t0} = U_{t0}$, $\vec{\varepsilon} = \varepsilon \cos \theta'_0 - j \varepsilon \sin \theta'_0$, and $\vec{I}'_0 = I'_{d0} + j I'_{q0}$, we obtain

$$\begin{aligned} U_{t0} - \varepsilon \cos \theta'_0 &= -I'_{q0} / B_{g,eff} \\ \varepsilon \sin \theta'_0 &= I'_{d0} / B_{g,eff} \end{aligned} \quad (A2)$$

and consequently

$$\begin{aligned} 1 - \cos \theta'_0 &= -I'_{q0} / B_{g,eff} \\ \sin \theta'_0 &= I'_{d0} / B_{g,eff} \end{aligned} \quad (A3)$$

as $U_{t0} = \varepsilon = 1.0$ in the per-unit system.

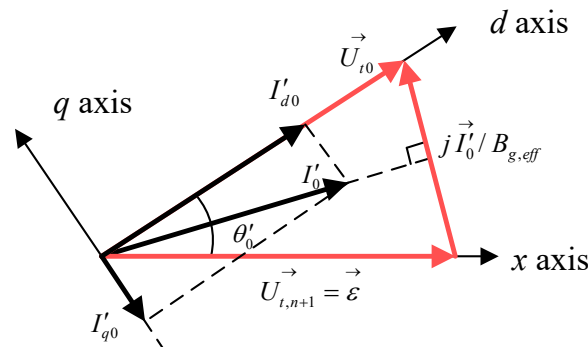


Figure A1. Schematic show for the voltage and current phasor (steady-state) relation of single-converter system under an equivalent susceptance $B_{g,eff}$. Now the d -axis direction is always identical with that of the terminal voltage phasor. The voltage phasor on the infinite bus is denoted by $\vec{\varepsilon}$. The phase-locked angle θ'_0 can be different with θ_0 under B_g .

On the other hand, based on that the active power input P_{in} is always set as a constant, and

$$P_{in} = I'_{d0} U_{t0} = I'_{d0}, \quad (A4)$$

we have

$$\begin{aligned} B_{g,eff} \sin \theta'_0 &= I'_{d0} = P_{in}, \\ B_{g,eff} \cos \theta'_0 &= \sqrt{B_{g,eff}^2 - P_{in}^2}, \end{aligned} \quad (A5)$$

from (A3). This directly produces the equivalence of $Y_{d,i}(2,3)$ and $Y'_{c,single}(2,3)$ in (59):

$$Y_{d,i}(2,3) = -B_g \sin \theta_0 = Y'_{c,single}(2,3) = -B_{g,eff} \sin \theta'_0 \quad (A6)$$

In addition, we have

$$Y_{d,i}(1,3) = B_{ei} - B_g + \sqrt{B_g^2 - P_{in}^2} \quad (A7)$$

and

$$Y'_{c,single}(2,3) = \sqrt{B_{g,eff}^2 - P_{in}^2} \tag{A8}$$

whose squared deviation is expressed as

$$Y_{d,i}(2,3)^2 - Y'_{c,single}(2,3)^2 = 2(B_g - B_{g,eff})(B_g - \sqrt{B_g^2 - P_{in}^2}). \tag{A9}$$

We find that if $P_{in} = 0$ or $B_{g,eff} = B_g$, it will vanish. From this, one understands the following two conditions: (1) when $P_{in,i}$ is relatively small, i.e., the power delivered by transmission line is far from the steady-state-stability-limited power, or (2) $B_{g,eff}$ should not be far away B_g , or B_{ij} should be relatively small compared to B_g , which means that the inter-converter connection should be weak compared to the converter-grid connection. Under these two conditions, we can have the approximative equivalence of $Y_{d,i}(1,3)$ and $Y'_{c,single}(1,3)$ in (60). Clearly the above conditions also fit with our intuition.

Finally, there is one slight point that remains to be addressed. As we have found that among the four matrices $F_i, H_i, J_i,$ and K_i in (26) and (28), only H_i depends on the steady-state values of $i_{d0,i}$ and $i_{q0,i}$, whereas all other matrices depend on system parameters only, we should also prove that H_i (or $i_{d0,i}$ and $i_{q0,i}$) is roughly unchanged under the condition of $B_{g,eff}$. By using the phasor relation in Figure A1, we have found that it is right under the same two conditions above. The detailed derivation is not shown here.

Appendix C. The Detailed Eigenvalues Data of the Single-VSC System and the Three-VSC System

Table A1. The detailed eigenvalues data of Figure 8.

| Network Parameters | Stability | Eigenvalues |
|--------------------|-----------------|-------------------|
| $X_g = 0.1$ | Stable | $-17.6 \pm 33.2i$ |
| | | $-25.1 \pm 37.1i$ |
| | | -9.1 |
| $X_g = 0.98$ | Critical stable | $0 \pm 36.5i$ |
| | | $-25.9 \pm 25.0i$ |
| | | -9.1 |
| $X_g = 1.1$ | Unstable | $4.9 \pm 34.0i$ |
| | | $-24.7 \pm 22.8i$ |
| | | 53.3 |

Table A2. The detailed eigenvalues data of Figure 9.

| Network Parameters of Three-VSC System | Stability | Eigenvalues | Network Parameters of Three Subsystems | Stability | Eigenvalues | | |
|--|-----------|---------------------|--|-------------------|---------------------|--------|-------------------|
| $X_{g1} = X_{g2} = X_{g3} = 0.5$ $X_{12} = 0.1$ $X_{13} = 0.2$ $X_{23} = 0.8$ | Stable | $-12.3 \pm 35.6i$ | $X_{g1,eff} = 0.5$ | Stable | $-12.3 \pm 35.6i$ | | |
| | | $-26.9 \pm 33.4i$ | | | $-26.9 \pm 33.4i$ | | |
| | | -33.5 | | | -33.5 | | |
| | | $X_{g2,eff} = 0.09$ | Stable | $-17.6 \pm 33.2i$ | $X_{g3,eff} = 0.04$ | Stable | $-17.8 \pm 33.3i$ |
| | | | | -24.5 ± 36.9 | | | $-25.1 \pm 37.1i$ |
| | | | | -8.6 | | | -8.6 |
| | | $X_{g3,eff} = 0.04$ | Stable | $-18.2 \pm 33.7i$ | | | -25.0 ± 37.1 |
| | | | | -24.0 ± 36.5 | | | -3.7 |
| | | | | -3.7 | | | |

Table A2. Cont.

| Network Parameters of Three-VSC System | Stability | Eigenvalues | Network Parameters of Three Subsystems | Stability | Eigenvalues | |
|--|-----------|---|--|-----------|---|---|
| $X_{g1} = X_{g2} = X_{g3} = 0.5$ $X_{12} = 1.1$ $X_{13} = 0.2$ $X_{23} = 0.8$ | Stable | $-12.3 \pm 35.6i$ $-26.9 \pm 33.4i$ -33.5 | $X_{g1,eff} = 0.5$ | Stable | $-12.3 \pm 35.6i$ $-26.9 \pm 33.4i$ -33.5 | |
| | | $-17.5 \pm 34.1i$ -24.1 ± 36.6 -16.3 | $X_{g2,eff} = 0.2$ | | Stable | $-16.8 \pm 33.3i$ $-25.5 \pm 36.8i$ -16.3 |
| | | $-18.2 \pm 33.6i$ -23.9 ± 35.8 -7.1 | $X_{g3,eff} = 0.08$ | | Stable | $-17.7 \pm 33.3i$ -25.1 ± 37.1 7.1 |

Table A3. The detailed eigenvalues data of Figure 10.

| Network Parameters of Three-VSC System | Stability | Eigenvalues | Network Parameters of Three Subsystems | Stability | Eigenvalues | |
|--|-----------------|--|--|-----------------|--|---|
| $X_{12} = X_{13} = X_{23} = 0.5$ $X_{1g} = X_{2g} = X_{3g} = 0.1$ | Stable | $-17.6 \pm 33.2i$ $-25.1 \pm 37.1i$ -9.1 | $X_{g1,eff} = 0.1$ | Stable | $-17.6 \pm 33.2i$ $-25.1 \pm 37.1i$ -9.1 | |
| | | $-17.8 \pm 33.3i$ -25.0 ± 37.1 -5.9 | $X_{g2,eff} = 0.0013$ | | Stable | $-17.7 \pm 33.3i$ $-25.1 \pm 37.1i$ -5.9 |
| | | $-17.8 \pm 33.3i$ -25.0 ± 37.1 -5.9 | $X_{g3,eff} = 0.0013$ | | Stable | $-17.7 \pm 33.3i$ -25.1 ± 37.1 -5.9 |
| $X_{12} = X_{13} = X_{23} = 0.5$ $X_{1g} = X_{2g} = X_{3g} = 0.098$ | Critical stable | $0 \pm 36.5i$ $-25.9 \pm 25.0i$ -50.3 | $X_{g1,eff} = 0.98$ | Critical stable | $0 \pm 36.5i$ $-25.9 \pm 25.0i$ -50.3 | |
| | | $-18.4 \pm 37.4i$ -22.0 ± 32.5 -12.6 | $X_{g2,eff} = 0.143$ | | Stable | $-17.2 \pm 33.2i$ $-25.3 \pm 37.0i$ -12.6 |
| | | $-18.4 \pm 37.4i$ -22.0 ± 32.5 -12.6 | $X_{g3,eff} = 0.143$ | | Stable | $-17.2 \pm 33.2i$ $-25.3 \pm 37.0i$ -12.6 |
| $X_{12} = X_{13} = X_{23} = 0.5$ $X_{1g} = X_{2g} = X_{3g} = 1.1$ | Unstable | $4.9 \pm 34.0i$ $-24.7 \pm 22.8i$ -53.3 | $X_{g1,eff} = 1.1$ | Unstable | $4.9 \pm 34.0i$ $-24.7 \pm 22.8i$ -53.3 | |
| | | $-17.7 \pm 38.2i$ -22.0 ± 31.5 -12.8 | $X_{g2,eff} = 0.144$ | | Stable | $-17.2 \pm 33.2i$ $-25.3 \pm 37.0i$ -12.8 |
| | | $-17.7 \pm 38.2i$ -22.0 ± 31.5 -12.8 | $X_{g3,eff} = 0.144$ | | Stable | $-17.2 \pm 33.2i$ $-25.3 \pm 37.0i$ -12.8 |

References

- Blaabjerg, F.; Ma, K. Future on power electronics for wind turbine systems. *IEEE J. Emerg. Select. Top. Power Electr.* **2013**, *1*, 139–152. [CrossRef]
- Wang, X.; Blaabjerg, F. Harmonic stability in power electronic-based power systems: Concept, modeling, and analysis. *IEEE Trans. Smart Grid* **2018**, *10*, 2858–2870. [CrossRef]

3. Veers, P.; Dykes, K.; Lantz, E.; Barth, S.; Bottasso, C.L.; Carlson, O.; Clifton, A.; Green, J.; Green, P.; Holttinen, H.; et al. Grand challenges in the science of wind energy. *Science* **2019**, *366*, eaau2027. [[CrossRef](#)] [[PubMed](#)]
4. Kundur, P.; Balu, N.J.; Lauby, M.G. *Power System Stability and Control*; McGraw-hill New York: New York, NY, USA, 1994; Volume 7.
5. Anderson, P.M.; Fouad, A.A. *Power System Control and Stability*; John Wiley & Sons: Hoboken, NJ, USA, 2008.
6. Ni, Y.; Chen, S.; Zhang, B. *Theory and Analysis of Dynamic Power System*; Tsinghua University Publication: Beijing, China, 2002. (In Chinese)
7. Zhao, M.; Yuan, X.; Hu, J.; Yan, Y. Voltage dynamics of current control time-scale in a VSC-connected weak grid. *IEEE Trans. Power Syst.* **2015**, *31*, 2925–2937. [[CrossRef](#)]
8. Wang, Y.; Wang, X.; Chen, Z.; Blaabjerg, F. Small-signal stability analysis of inverter-fed power systems using component connection method. *IEEE Trans. Smart Grid* **2017**, *9*, 5301–5310. [[CrossRef](#)]
9. Yang, Z.; Ma, R.; Cheng, S.; Zhan, M. Nonlinear Modeling and Analysis of Grid-connected Voltage Source Converters Under Voltage Dips. *IEEE J. Emerg. Select. Top. Power Electr.* **2020**, *8*, 3281–3292. [[CrossRef](#)]
10. Yang, Z.; Ma, R.; Cheng, S.; Zhan, M. Problems and Challenges of Power-electronic-based Power System Stability: A Case Study of Transient Stability Comparison. *Acta Phys. Sin.* **2020**, *69*, 1–14.
11. Yang, Z.; Mei, C.; Cheng, S.; Zhan, M. Comparison of Impedance Model and Amplitude-Phase Model for Power-electronics-based Power System. *IEEE J. Emerg. Select. Top. Power Electr.* **2019**, *8*, 2546–2558. [[CrossRef](#)]
12. Ji, Y.; He, W.; Cheng, S.; Kurths, J.; Zhan, M. Dynamic network characteristics of power-electronics-based power Systems. *Sci. Rep.* **2020**, *10*, 1–16. [[CrossRef](#)]
13. Qiu, Q.; Zhou, B.; Wang, P.; He, L.; Xiao, Y.; Yang, Z.; Zhan, M. Origin of amplitude synchronization in coupled nonidentical oscillators. *Phys. Rev. E* **2020**, *101*, 022210. [[CrossRef](#)]
14. Beerten, J.; D’Arco, S.; Suul, J.A. Identification and small-signal analysis of interaction modes in VSC MTDC systems. *IEEE Trans. Power Deliv.* **2015**, *31*, 888–897. [[CrossRef](#)]
15. Hu, J.; Yuan, X.; Cheng, S. Multi-time scale transients in power-electronized power systems considering multi-time scale switching control schemes of power electronics apparatus. *Proc. Chin. Soc. Elect. Eng.* **2019**, *39*, 5457–5467.
16. Wang, L.; Xie, X.; Liu, H.; Zhan, Y.; He, J.; Wang, C. Review of emerging SSR/SSO issues and their classifications. *J. Eng.* **2017**, *2017*, 1666–1670. [[CrossRef](#)]
17. Xie, X.; Wang, L.; He, J.; Liu, H.; Wang, C.; Zhan, Y. Analysis of subsynchronous resonance/oscillation types in power systems. *Power Syst. Technol.* **2017**, *41*, 1043–1049.
18. Wang, X.; Du, W.; Wang, H. Stability analysis of grid-tied VSC systems under weak connection conditions. *Proc. CSEE* **2018**, *26*, 1593–1604.
19. Huang, Y.; Zhai, X.; Hu, J.; Liu, D.; Lin, C. Modeling and stability analysis of VSC internal voltage in DC-link voltage control timescale. *IEEE J. Emerg. Select. Top. Power Electr.* **2017**, *6*, 16–28. [[CrossRef](#)]
20. Zhu, J.; Hu, J.; Lin, L.; Wang, Y.; Wei, C. High-Frequency Oscillation Mechanism Analysis and Suppression Method of VSC-HVDC. *IEEE Trans. Power Electr.* **2020**, *35*, 8892–8896. [[CrossRef](#)]
21. Barrat, A.; Barthelemy, M.; Vespignani, A. *Dynamical Processes on Complex Networks*; Cambridge University Press: Cambridge, UK, 2008.
22. Menck, P.J.; Heitzig, J.; Marwan, N.; Kurths, J. How basin stability complements the linear-stability paradigm. *Nat. Phys.* **2013**, *9*, 89–92. [[CrossRef](#)]
23. Menck, P.J.; Heitzig, J.; Kurths, J.; Schellnhuber, H.J. How dead ends undermine power grid stability. *Nat. Commun.* **2014**, *5*, 1–8. [[CrossRef](#)]
24. Nitzbon, J.; Schultz, P.; Heitzig, J.; Kurths, J.; Hellmann, F. Deciphering the imprint of topology on nonlinear dynamical network stability. *New J. Phys.* **2017**, *19*, 033029. [[CrossRef](#)]
25. Rohden, M.; Sorge, A.; Timme, M.; Witthaut, D. Self-organized synchronization in decentralized power grids. *Phys. Rev. Lett.* **2012**, *109*, 064101. [[CrossRef](#)] [[PubMed](#)]
26. Yang, Y.; Nishikawa, T.; Motter, A.E. Small vulnerable sets determine large network cascades in power grids. *Science* **2017**, *358*. . [[CrossRef](#)] [[PubMed](#)]
27. Schäfer, B.; Witthaut, D.; Timme, M.; Latora, V. Dynamically induced cascading failures in power grids. *Nat. Commun.* **2018**, *9*, 1–13. [[CrossRef](#)] [[PubMed](#)]
28. Witthaut, D.; Timme, M. Braess’s paradox in oscillator networks, desynchronization and power outage. *New J. Phys.* **2012**, *14*, 083036. [[CrossRef](#)]
29. Motter, A.E.; Myers, S.A.; Anghel, M.; Nishikawa, T. Spontaneous synchrony in power-grid networks. *Nat. Phys.* **2013**, *9*, 191–197. [[CrossRef](#)]
30. Barzel, B.; Barabási, A.L. Universality in network dynamics. *Nat. Phys.* **2013**, *9*, 673–681. [[CrossRef](#)]
31. Wolff, M.F.; Schmietendorf, K.; Lind, P.G.; Kamps, O.; Peinke, J.; Maass, P. Heterogeneities in electricity grids strongly enhance non-Gaussian features of frequency fluctuations under stochastic power input. *Chaos Interdiscipl. J. Nonlinear Sci.* **2019**, *29*, 103149. [[CrossRef](#)]
32. Timme, M.; Kocarev, L.; Witthaut, D. Focus on networks, energy and the economy. *New J. Phys.* **2015**, *17*, 110201. [[CrossRef](#)]
33. Ongena, J. Focus Point on the Transition to Sustainable Energy Systems. *Eur. Phys. J. Plus* **2018**, *133*, 82. [[CrossRef](#)]

34. Anvari, M.; Hellmann, F.; Zhang, X. Introduction to Focus Issue: Dynamics of modern power grids. *Chaos Interdiscipl. J. Nonlinear Sci.* **2020**, *30*, 063140. [[CrossRef](#)]
35. Ma, Y.; Yang, P.; Wang, Y.; Zhao, Z. Typical characteristics and key technologies of microgrid. *Autom. Electr. Power Syst.* **2015**, *39*, 168–175.
36. Pérez-Collazo, C.; Greaves, D.; Iglesias, G. A review of combined wave and offshore wind energy. *Renew. Sustain. Energy Rev.* **2015**, *42*, 141–153. [[CrossRef](#)]
37. Shalwala, R.; Bleijs, J. Impact of Grid-Connected PV systems on voltage regulation of a residential area network in Saudi Arabia. In Proceedings of the IEEE 2010 1st International Nuclear & Renewable Energy Conference (INREC), Amman, Jordan, 21–24 March 2010; pp. 1–5.
38. Du, W.; Fu, Q.; Wang, X.; Wang, H. Small-signal stability analysis of integrated VSC-based DC/AC power systems—A review. *Int. J. Electr. Power Energy Syst.* **2018**, *103*, 545–552. [[CrossRef](#)]
39. Bahirat, H.J.; Mork, B.A.; Høidalen, H.K. Comparison of wind farm topologies for offshore applications. In Proceedings of the IEEE 2012 Power and Energy Society General Meeting, San Diego, CA, USA, 22–26 July 2012; pp. 1–8.
40. Wu, B.; Narimani, M. *High-Power Converters and AC Drives*; John Wiley & Sons: Hoboken, NJ, USA, 2017.
41. Ackermann, T. *Wind Power in Power Systems*; John Wiley & Sons: Hoboken, NJ, USA, 2005.
42. Jovcic, D. *High Voltage Direct Current Transmission: Converters, Systems and DC Grids*; John Wiley & Sons: Hoboken, NJ, USA, 2019.
43. Nilsson, J.W. *Electric Circuits*; Pearson Education India: Chennai, India, 2008.
44. Horn, R.A.; Johnson, C.R. *Matrix Analysis*; Cambridge University Press: Cambridge, UK, 2012.