

# PPG Sensor


# RevA1

## Variant: [No Variations]

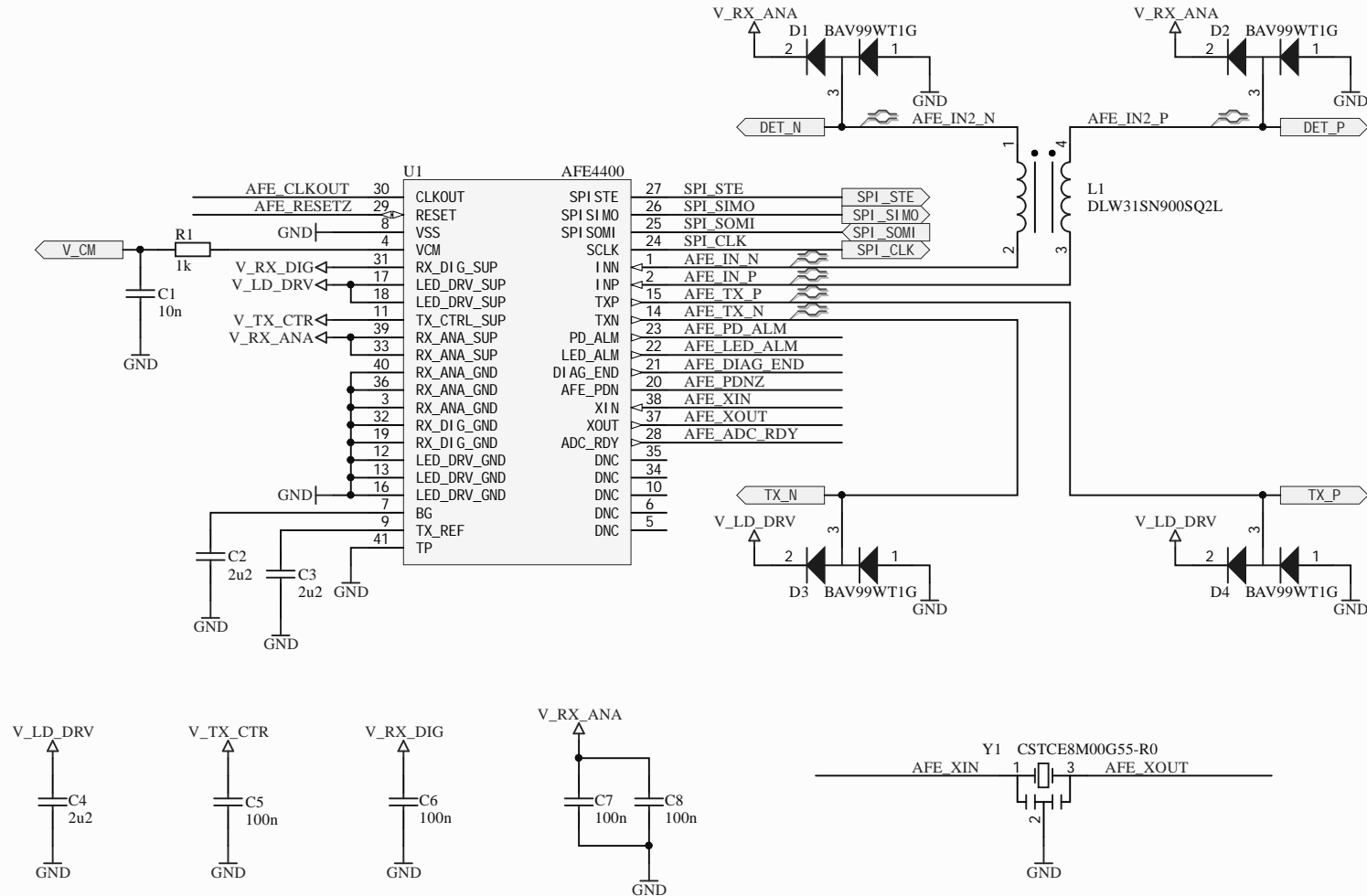
## 18/12/2017

# RELEASED

| Page  | Index            | Page  | Index | Page  | Index |
|-------|------------------|-------|-------|-------|-------|
| ..... | .....            | ..... | ..... | ..... | ..... |
| 1     | Cover Page       | 8     | ..... | 15    | ..... |
| 2     | Analog Front-End | 9     | ..... | 16    | ..... |
| 3     | Power Supply     | 10    | ..... | 17    | ..... |
| 4     | .....            | 11    | ..... | 18    | ..... |
| 5     | .....            | 12    | ..... | 19    | ..... |
| 6     | .....            | 13    | ..... | 20    | ..... |
| 7     | .....            | 14    | ..... | 21    | ..... |

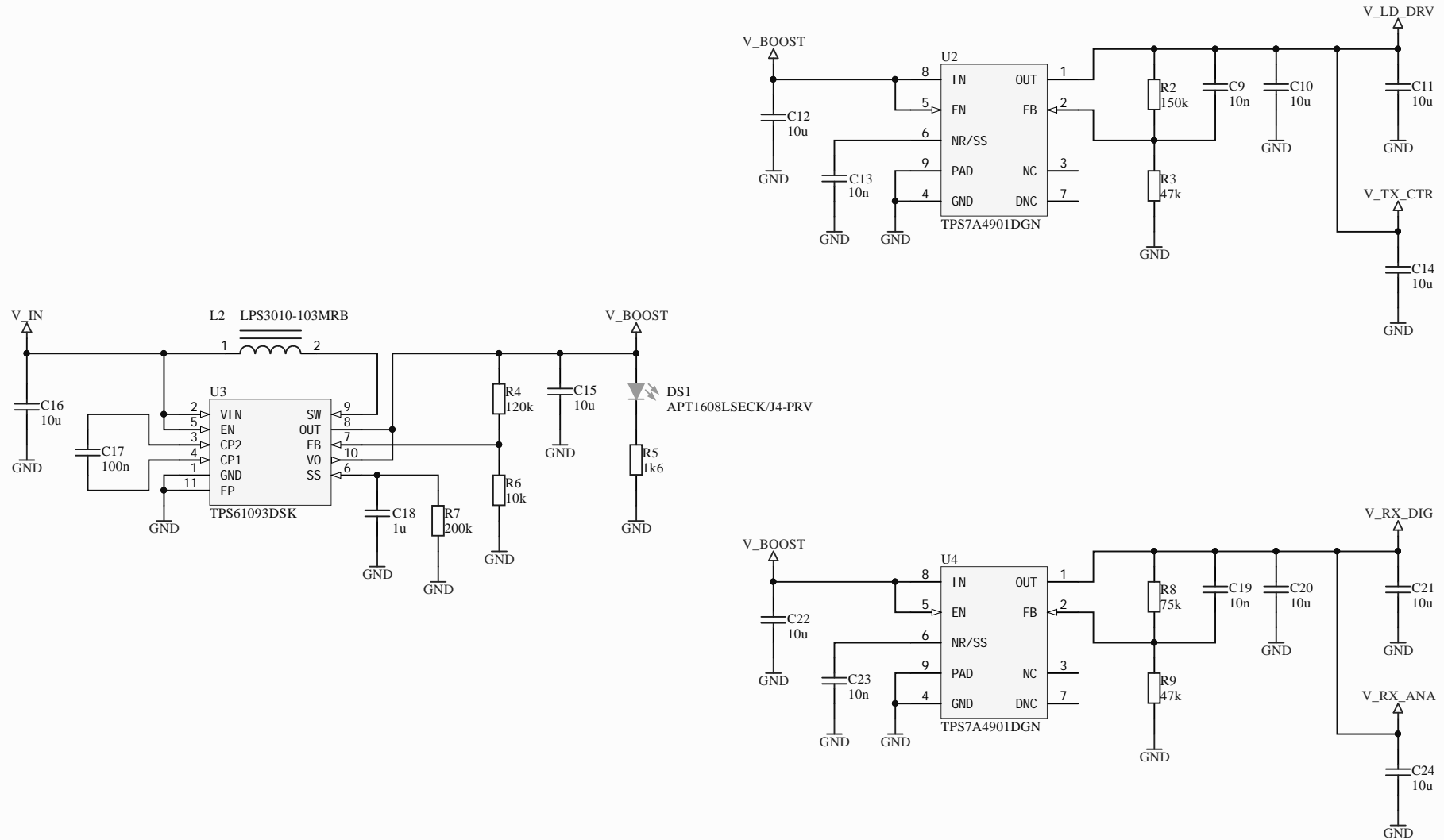
|                                    |                      |                  |   |
|------------------------------------|----------------------|------------------|---|
| Title: <b>Cover Page</b>           |                      |                  |  <b>UCLM</b><br>Universidad de<br>Castilla-La Mancha |
| Variant: [No Variations]           | Number: 201704031008 | Revision: RevA1  |   |
| Checked by:                        | Size: A4             | Date: 18/12/2017 |   |
| File: [01] PPG Sensor Cover.SchDoc |                      | Sheet 1 of 3     |   |

# Analog Front-End



|                                  |          |                  |  |
|----------------------------------|----------|------------------|--|
| Title: <b>Analog Front-End</b>   |          |                  |  |
| Variant: [No Variations]         | Number:  | Revision: RevA1  |  |
| Checked by:                      | Size: A4 | Date: 18/12/2017 |  |
| File: [02] PPG Sensor AFE.SchDoc |          | Sheet 2 of 3     |  |

# Power Supply



|                                     |          |                  |
|-------------------------------------|----------|------------------|
| Title: <b>Power Supply</b>          |          |                  |
| Variant: [No Variations]            | Number:  | Revision: RevA1  |
| Checked by:                         | Size: A4 | Date: 18/12/2017 |
| File: [03] PPG Sensor Supply.SchDoc |          | Sheet 3 of 3     |

Universidad de Castilla-La Mancha