

# Supplementary Materials: Challenges in Automotive Fuel Cells Recycling

Rikka Wittstock, Alexandra Pehlken and Michael Wark

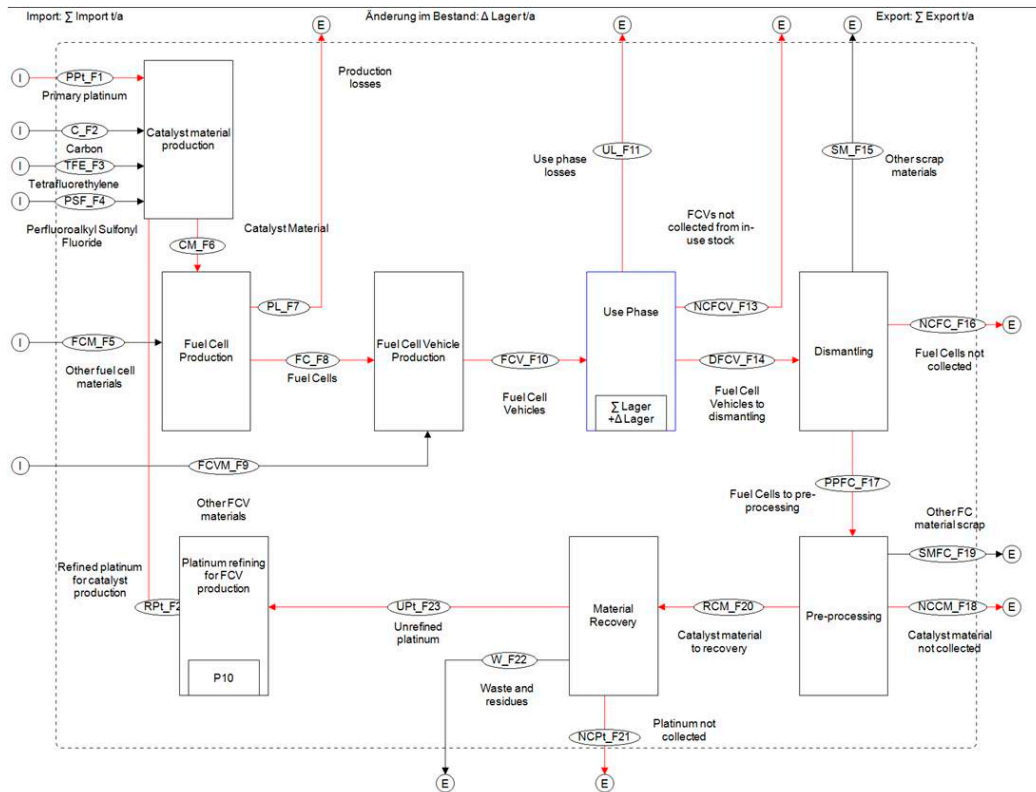


Figure S1. STAN material flow diagram including flow codes.

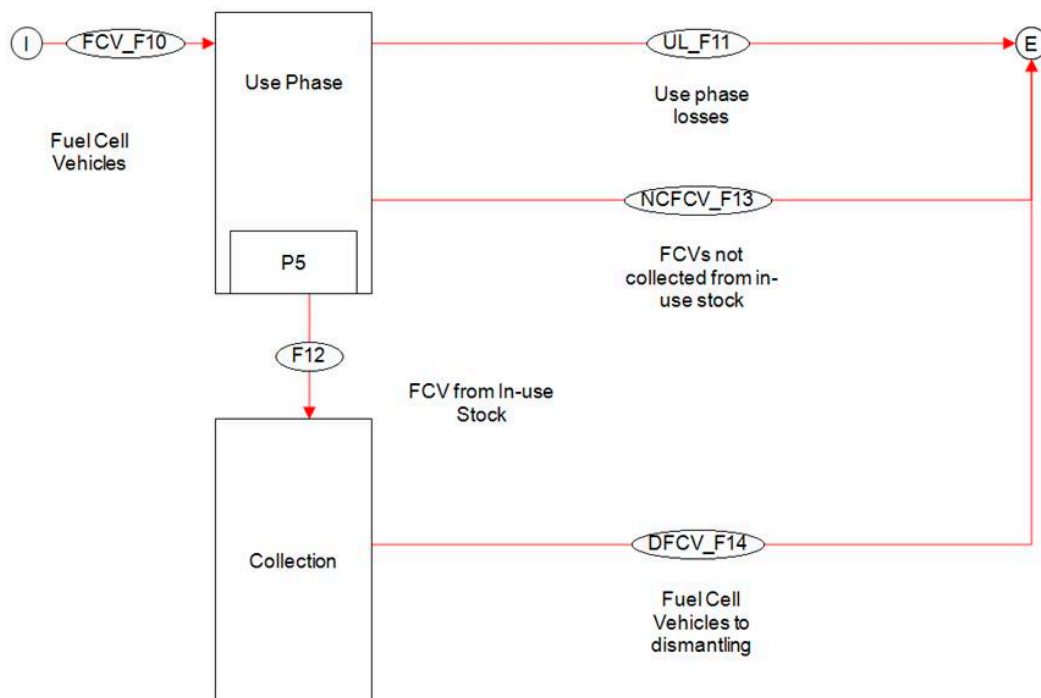


Figure S2. STAN use phase sub-system of the material flow diagram including flow codes.